



• Thank you for purchasing our product. Before installing/operating the product, please read the instructions carefully and retain them for future reference.

⚠ Attention!

- For installation, please follow the steps described. Any damage caused by wrong installation shall be imputed to the users.
- To avoid a short circuit from occurring do not pull or modify the wires during installation.
- Do not disassemble or change any parts. Opening and disassembling this unit will void any warranty.
- Maintenance and repairs should be executed by our professionals only.

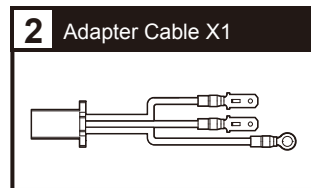
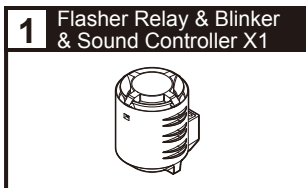
⊗ Symbol description:

NOTE

⚠ Some procedures must be followed to avoid damages to the instrument.

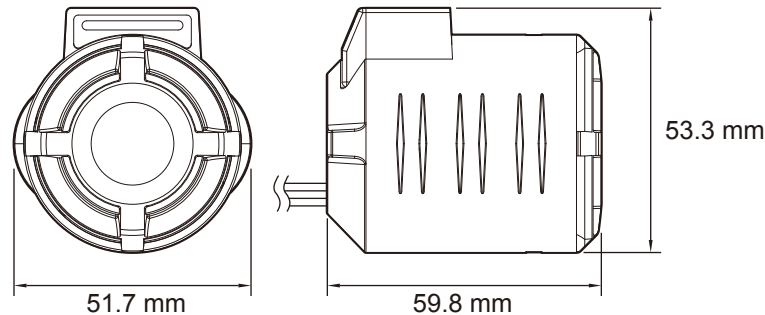
⚠ **WARNING!** Certain procedure must be followed to avoid damages to yourself, to the vehicle or others.

1 Accessories



NOTE Some of the optional accessories may be purchased separately. For more details, please contact your local distributor.

2 Specifications



Product Features

● Flasher Load Learning

Automatic learning and ensure that the turn signal works properly.

● Flashing Setting

Customized sound effects, blinking interval, turn-on sound effect and volume.

● Volume Adjustment

When the wattage of the turn signal is abnormal, there will be a flashing warning.

● Upgrade Firmware

Support online updates to continue optimizing products.

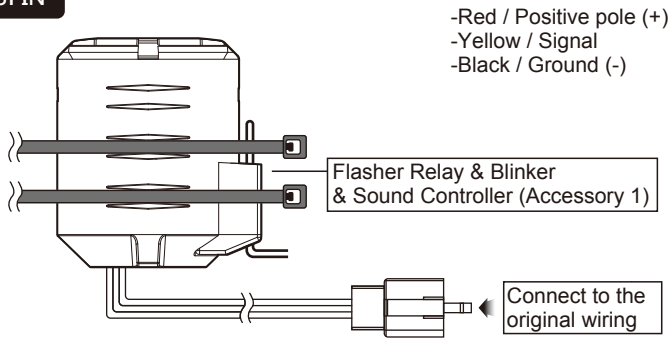
● Module Storage Temp. Range	-10 ~ 60 °C
● Standard	ISO 20653 IPX3
● Effective Voltage	DC 10 ~ 15 V
● Current Draw	125mA ± 0.5mA
● Size	51.7 X 59.8 X 53.3 mm
● Storage Capacity	3 MB
● Supported File Formats	mp3 / wav / m4a / aac
● Weight	About 69 g

NOTE Sound effects can be recorded via mobile phone or tablet and uploaded to the product through the APP.

NOTE Design and specifications are subject to change without notice.

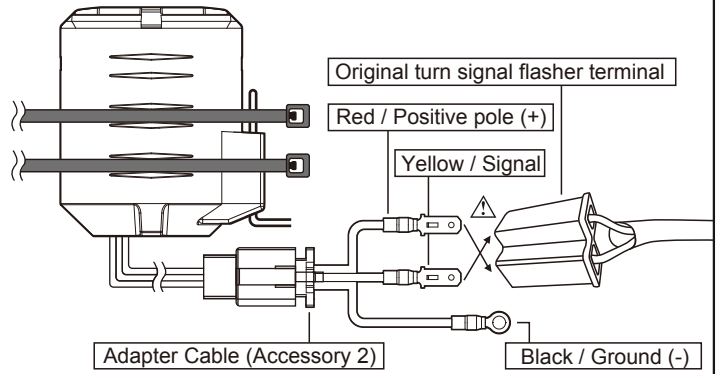
3 Installation Instructions

3PIN



NOTE Make sure to remove original flasher relay from bike after installing new controller.

2PIN



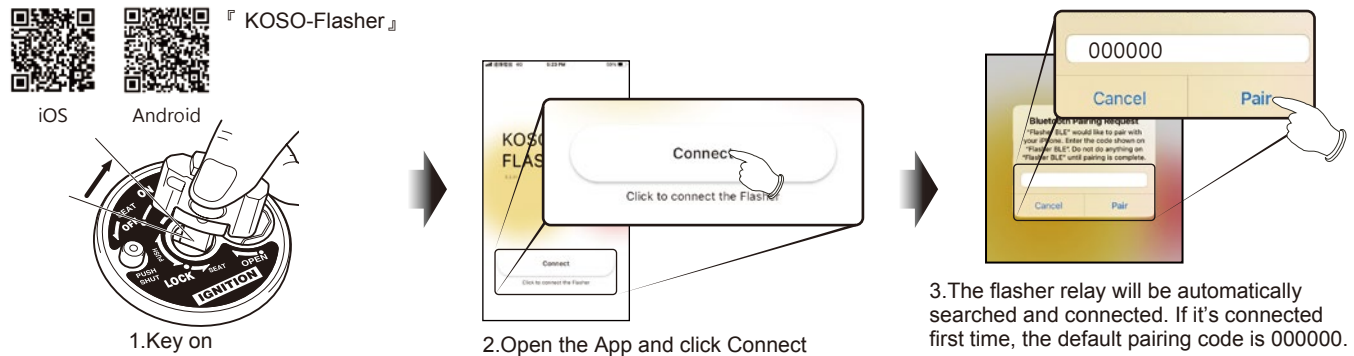
WARNING! If the flasher relay can not work properly. Please try to change red / yellow position and try again.

Main switch wiring reference:

	Power	Key on	Ground		Power	Key on	Ground
YAMAHA	Red	Brown	Black	KYMC0	Red	Black	Green
HONDA	Red	Red / Black	Green	SYM	Red	Black	Green
SUZUKI		Black	Green	PGO	Red / White	Orange	Black
KAWASAKI	White	Brown	Black/yellow				

NOTE The colors listed above may differ depending on the model.

4 App Pairing Instructions



NOTE iOS / Android are supported, you can scan the QR-Code on the upper left corner to download the APP.

NOTE For first time use, please enter the APP to update the firmware to ensure it is the latest version.

5 Trouble Shooting

The following situations do not indicate malfunctions of the product. Check the following before contacting us.

Trouble	Check item	Trouble	Check item
Turn signal does not flash when switching to left or right.	<ul style="list-style-type: none"> The wattage of the turn signal may be too low. →Please add an additional turn signal load. 	The turn signal is on but unable to play full sound effect.	<ul style="list-style-type: none"> The length of the sound effect doesn't meet the length of the blinking. →Please adjust the length of the sound effect to fit the blinking seconds.
Turn signal flashes abnormally when switching to left or right.	<ul style="list-style-type: none"> The voltage of the battery is low. →Recharge or replace the battery. The load learning is not complete. →Redo the load learning. The wattage of the turn signal may be too low. →Please add an additional turn signal load. 	Unable to upload sound effects.	<ul style="list-style-type: none"> The file format is not supported. →Check the file format. Full storage or the file is too big. →Check the storage. →Check the size of the file.
Unable to set sound effects.	<ul style="list-style-type: none"> The turn signal is turned on. →Turn off the turn signal. The setting is not saved. →Turn off the turn signal on the bike and save the setting. 	Distortion of sound effects.	<ul style="list-style-type: none"> The volumn of the source is too high. →Editing the volumn of the source through the sound effect editing software.
Unable to perform flasher load learning.	<ul style="list-style-type: none"> The turn signal is not turned on. →Turn on the turn signal and execute the learning, it will be saved after the learning is done. 	Unable to connect the flasher relay.	<ul style="list-style-type: none"> Wrong pairing code. →Check if the pairing code is correct. →Forget the device and redo the pairing. →Update the app or operating system.
Storage is full.	<ul style="list-style-type: none"> Too many sound effect files or the file is too big. →Delete the files. Too many emporary archives. →Reset the flasher relay. 	Unable to update the firmware.	<ul style="list-style-type: none"> Full storage. →At least 1.8MB storage is required for the update.

※ If the problems still cannot be solved, contact our technical department for assistance.

wh021kk01b