



Thank you for purchasing our product. Please, read the instructions thoroughly and retain them for future reference.

⚠ NOTICE

- To install, follow the steps as described in the manual. Any damages caused by not following directions voids warranty.
- Correct tools must be used for installation.
- Do not modify any parts unless specifically stated in the instruction manual.
- Interior controll maintenance should be performed by a professional only.

©MARK MEANING:

NOTE You could get the installation details from the information behind the mark.

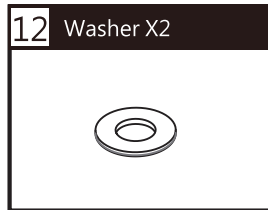
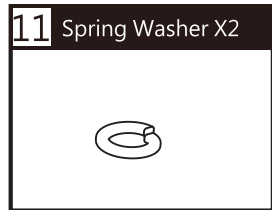
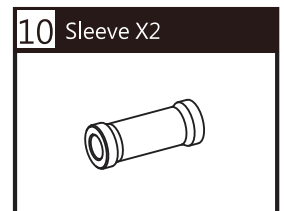
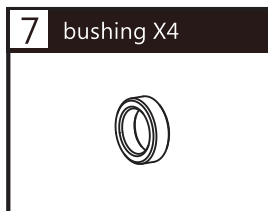
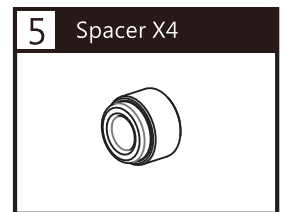
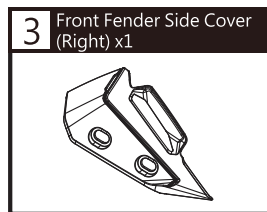
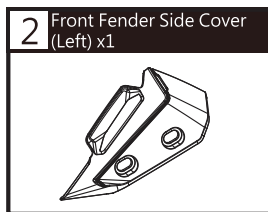
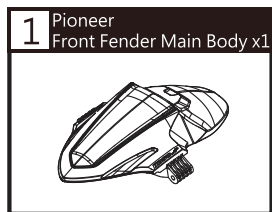
⚠ Some processes must be followed to avoid the affection caused by wrong installation.

⚠ **WARNING!** Some processes must be followed to avoid damages to yourself or the public.

⚠ **CAUTION!** Some processes must be followed to avoid the damage to the vehicle.

🔧 Denotes the tightening torque value

1 ACCESSORIES

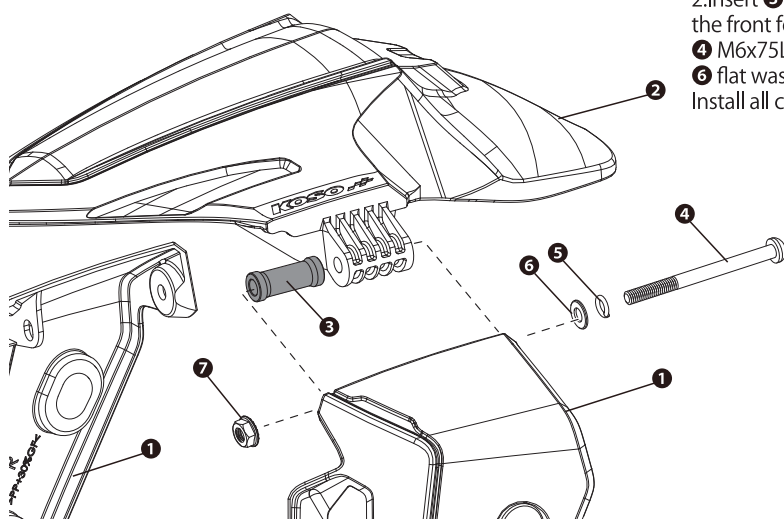


NOTE Please contact the local distributor if the items you open are not the same, as the above-listed one.

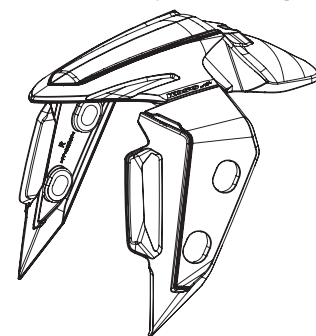
2-1 Fender Instructions Beno

PLEASE PROCEED AS FOLLOWS

1. Attach the **1** front fender side covers (left and right) (accessories 2 · 3) to the **2** front fender main body (accessories 1).
2. Insert **3** bushings x2 (accessories 10) into the mounting points inside the front fender, then use appropriate tools to secure them with **4** M6x75Lx1.0 screws x2 (accessories 8) **5** spring washers x2 (accessories 11) **6** flat washers x2 (accessories 12) **7** nuts x2 (accessories 9) Install all components onto the front fender main body.

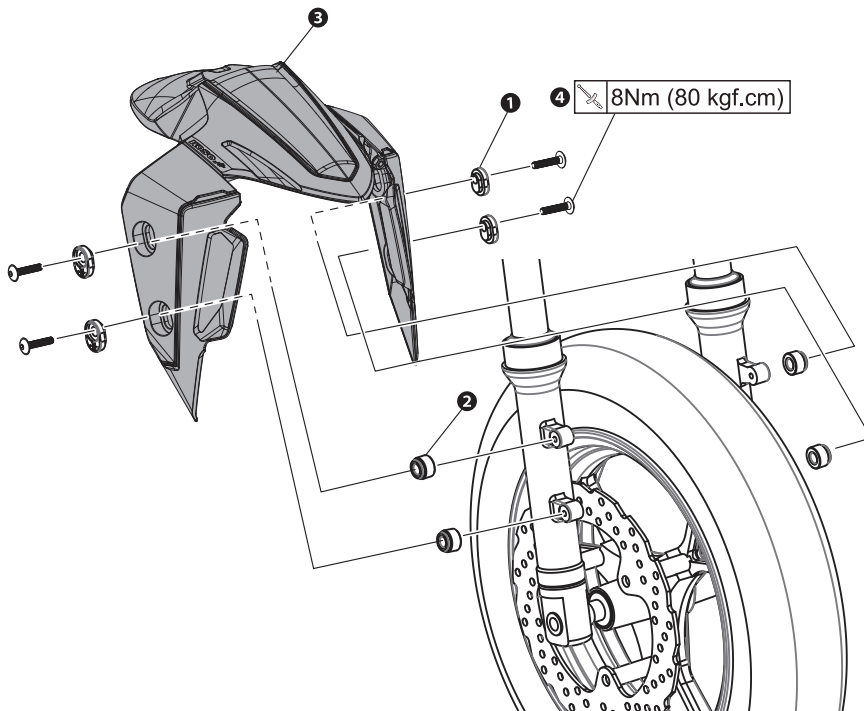


● Installation completed diagram



2-2 INSTALLATION INSTRUCTION

PLEASE PROCEED AS FOLLOWS



1. Use the appropriate tools to remove the original front fender.
2. Install ① adjustment plates x4 (Accessory 4) and ② spacers x4 (Accessory 7) from the inside onto the ③ Pioneer front fender.
3. Align the installed front fender with the mounting points, and use appropriate tools to install ④ hex screws x4 (Accessory 6) onto the Pioneer front fender.

NOTE When using 12-inch wheels, install adjustment plates (Accessory 4) in the direction shown below.



NOTE When using 13-inch wheels, install adjustment plates (Accessory 4) in the direction shown below.

