



Thank you for purchasing our product. Before installing/operating the product, read the instructions carefully and retain them for future reference.

⚠ Attention!

- For installation, follow the steps described. Any damage caused by wrong installation shall be imputed to the users.
- To avoid a short circuit from occurring do not pull or modify the wires during installation.
- Do not disassemble or change any parts. Opening and disassembling this unit will void any warranty.
- Maintenance and repairs should be executed by our professionals only.

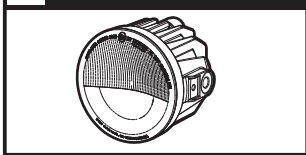
NOTE

⚠ Some procedures must be followed to avoid damages to the product.

⚠ **WARNING!** Certain procedure must be followed to avoid damages to yourself, to the vehicle or to others.

1 ACCESSORIES

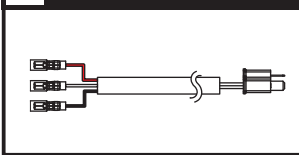
1 Headlight x 1



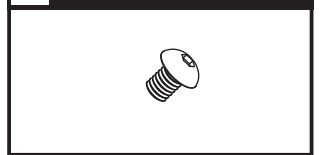
2 Bracket x 1



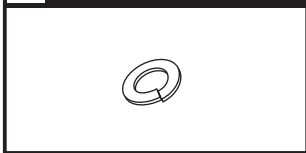
3 Adapter Cable x 1



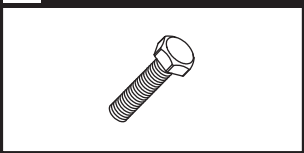
4 M8x12L Allen screw x 2



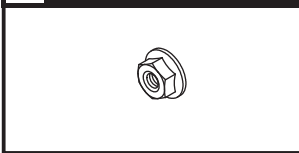
5 M8 Lock Washer x 2



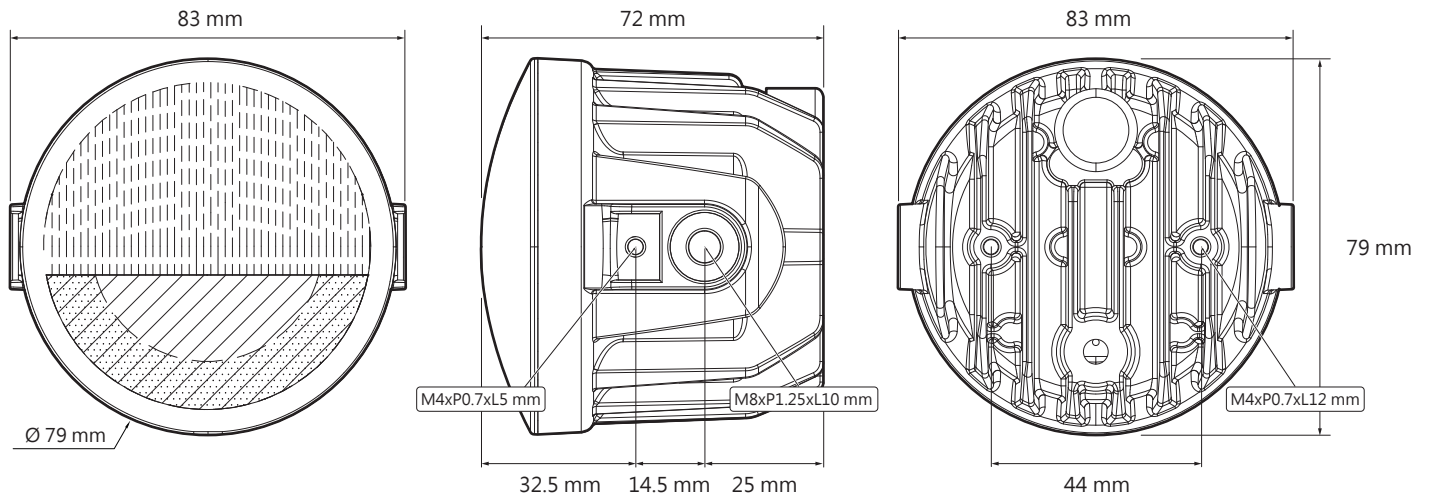
6 M8x25L Bolt x 1



7 M8 Nut x 1



2 SPECIFICATIONS



● Effective temperature range -10 ~ 60 °C

● Standard JIS D 0203

● Homologation E-Mark / SAE Approved

● Size 83 X 79 X 72 mm

● Effective voltage DC 10 ~ 16 V

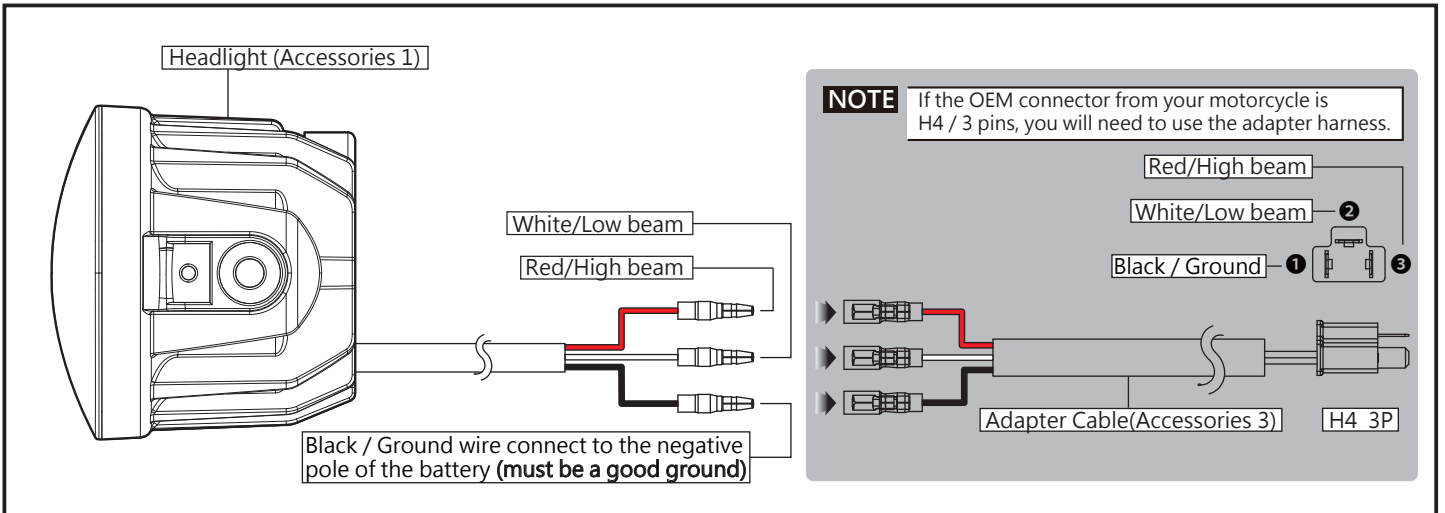
● Low beam DC 12V / 13.6 W

● High beam DC 12V/ 24.8 W

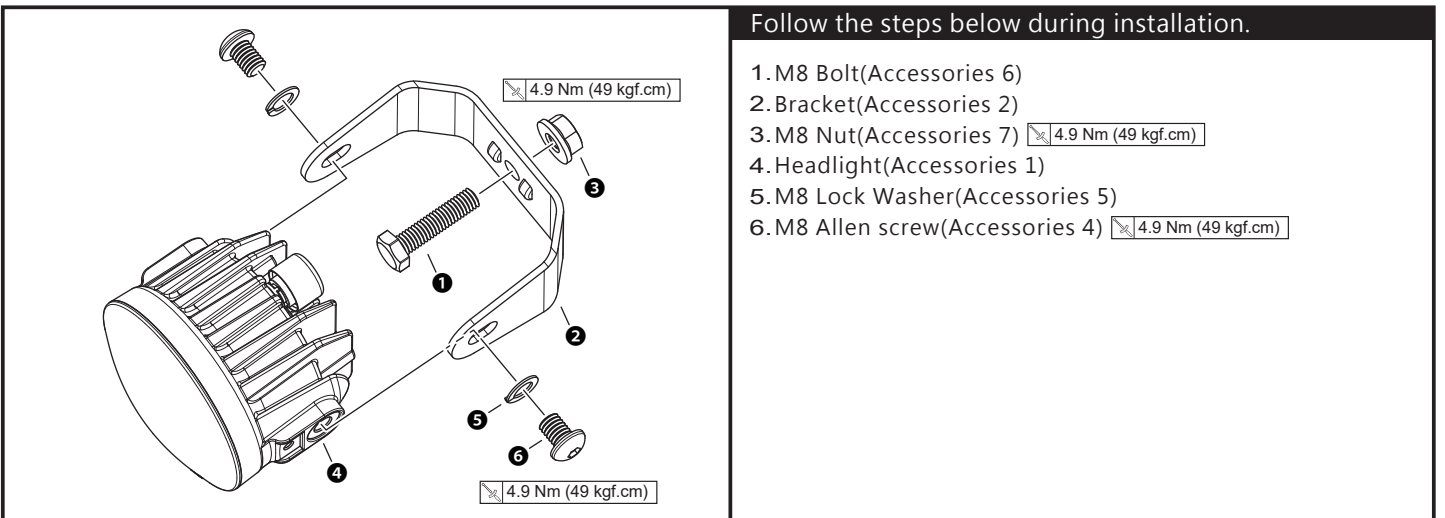
● Weight ± 305 g

NOTE Design and specifications are subject to change without notice.

3 WIRING INSTALLATION INSTRUCTIONS



4 WIRING INSTALLATION INSTRUCTIONS



5 TROUBLESHOOTING

The following situations do not indicate malfunctions of the product. Check the following before taking it in for repair.

| Trouble | Check item |
|-------------------------------|---|
| No LED indicator lighting up. | <ul style="list-style-type: none"> ● Power supply cable may be disconnected. <ul style="list-style-type: none"> → Check if power supply cable is broken or disconnected. → Check if positive and negative poles are properly connected. |

※ If the problems still cannot be solved, contact our technical department for assistance.