



Thank you for purchasing our product. Before installing/operating the product, read the instructions carefully and retain them for future reference.

⚠ Attention!

- For installation, follow the steps described. Any damage caused by wrong installation shall be imputed to the users.
- To avoid a short circuit from occurring do not pull or modify the wires during installation.
- Do not disassemble or change any parts. Opening and disassembling this unit will void any warranty.
- Maintenance and repairs should be executed by our professionals only.

NOTE

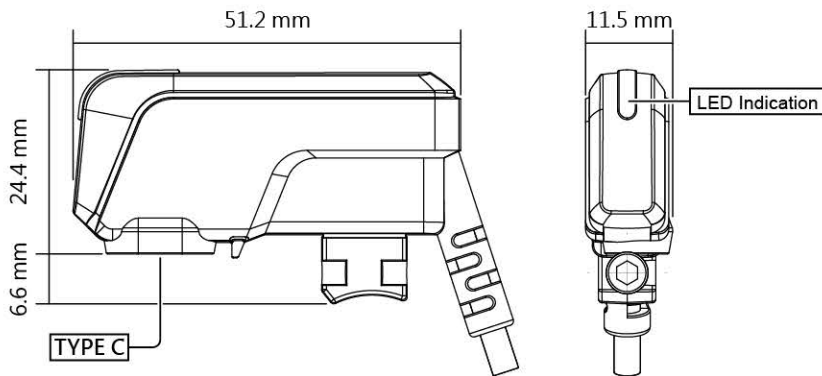
⚠ Some procedures must be followed to avoid damages to the product.

⚠ **WARNING!** Certain procedure must be followed to avoid damages to yourself, to the vehicle or to others.

1 Accessories



2 Installation of function

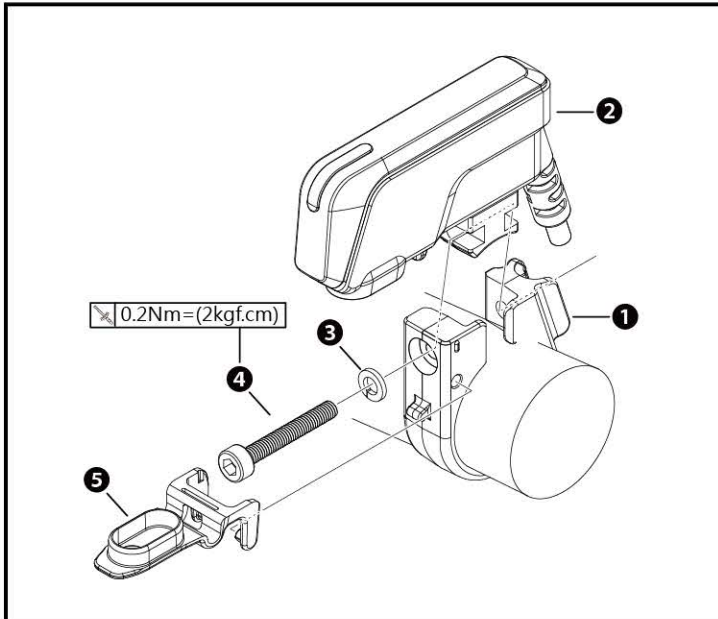


•USB Working Voltage	Voltage Range :DC 10 ~ 16 V Output specifications : DC 5V/3A DC 9V/2A (When input power is over 10.5V) 12V/1.5A (When input power is over 13.5V) Charging protocols : PD2.0/3.0 · PPS · APPLE 2.4A · QC4+ · AFC · FCP · SCP · PE2.0/1.1
•Indicator (Red light)	The indicator light will stay on when the input voltage is over 12.0V and flash when the power is lower than 11.5V. Stop charging when the indicator light flashes to avoid damaging your battery.
•Effective temperature range	-10 ~ 60°C
•IP Level	JIS D 0203
•Size	51.2 X 11.5 X 24.4 mm
•Weight	± 20g

⚠ **Warning!** When raining, do not charge and put on the cap.

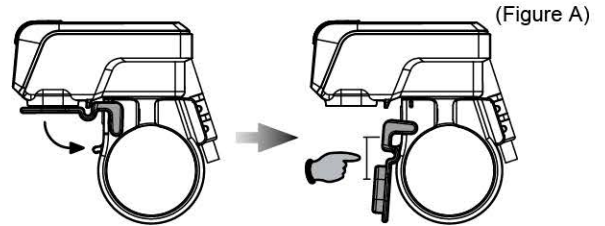
NOTE Design and specifications are subject to change without notice.

3 Installation instruction



Follow the steps below during installation.

- ① Clamp (Accessory 2 · Accessory 3)
- ② Single port USB charger (Accessory 1)
- ③ M3 washer (Accessory 6)
- ④ M3x20xP0.5 mm Allen screw (Accessory 5) 0.2Nm=(2kgf.cm)
- ⑤ Dust cover (Accessory 4)



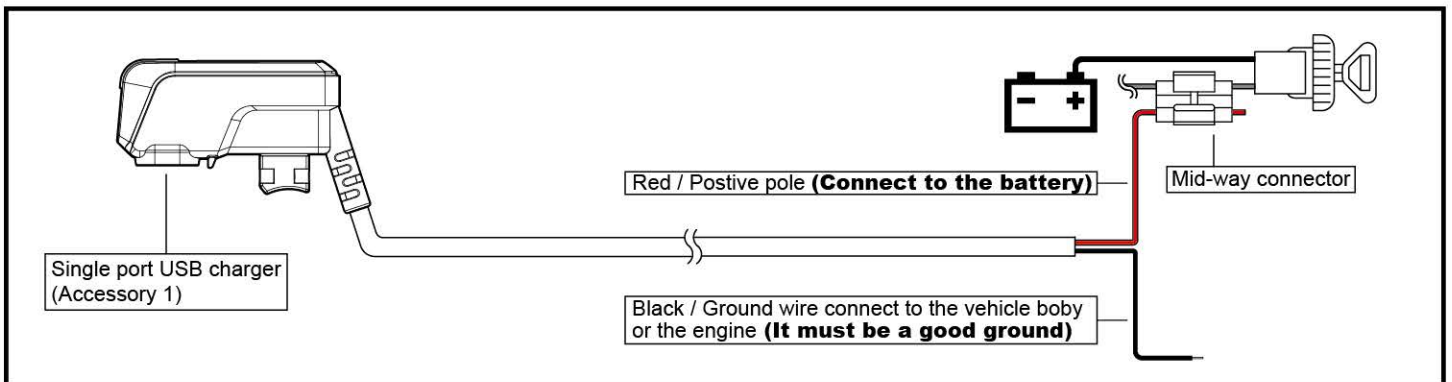
⚠ Warning! It is recommended to install the USB port downward.

NOTE There are two sizes of clamps (Accessory 2, Accessory 3), change at your demand.

NOTE Total length of the wire is 930mm.

NOTE Dust cover can be pressed in the middle to be fixed by the clamp (Figure A).

4 Wiring installation instructions



5 Trouble Shooting

The following situations do not indicate malfunctions of the product. Check the following before taking it in for repair.

Trouble	Check item
Not charging or Indicator light not functioning.	<ul style="list-style-type: none"> ● There might be no power supplied. → Make sure the wires are connected. → Make sure the positive/negative poles are properly connected. → Battery malfunction or battery voltage lower than 10 V. → Check the wires of product and device.

※ If the problems still cannot be solved, contact our technical department for assistance.