



● Thank you for purchasing The Product. Before installation, please read the instruction carefully. We recommend that you store the instruction sheet in a safe place for future reference.

NOTICE

- To install, follow the steps as described in the manual. Any damages caused by not following directions voids warranty.
- Correct tools must be used for installation.
- Do not modify any parts unless specifically stated in the instruction manual.
- Interior controller maintenance should be performed by a professional only.

EXPLANATION OF SYMBOLS

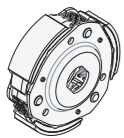
NOTE Read this information carefully regarding the essential features.

△ Some processes must follow to avoid the affection caused by wrong installation.

△ **CAUTION!** Some processes must follows to avoid the damage to yourself or public.

1-1 ACCESSORIES

1 SPORT CLUTCH X1



2 CLUTCH OUTER X1



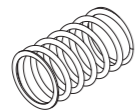
NOTE Please contact your local distributor if the items received are not the same as the one listed above.

1-2 OPTIONAL ACCESSORIES

1 CIUTCH SPRING



2 SPRING



3 SECONDARY SLIDING SHEAVE



NOTE Some of these items may not sell in particular area, for more information, please contact with our local dealer.

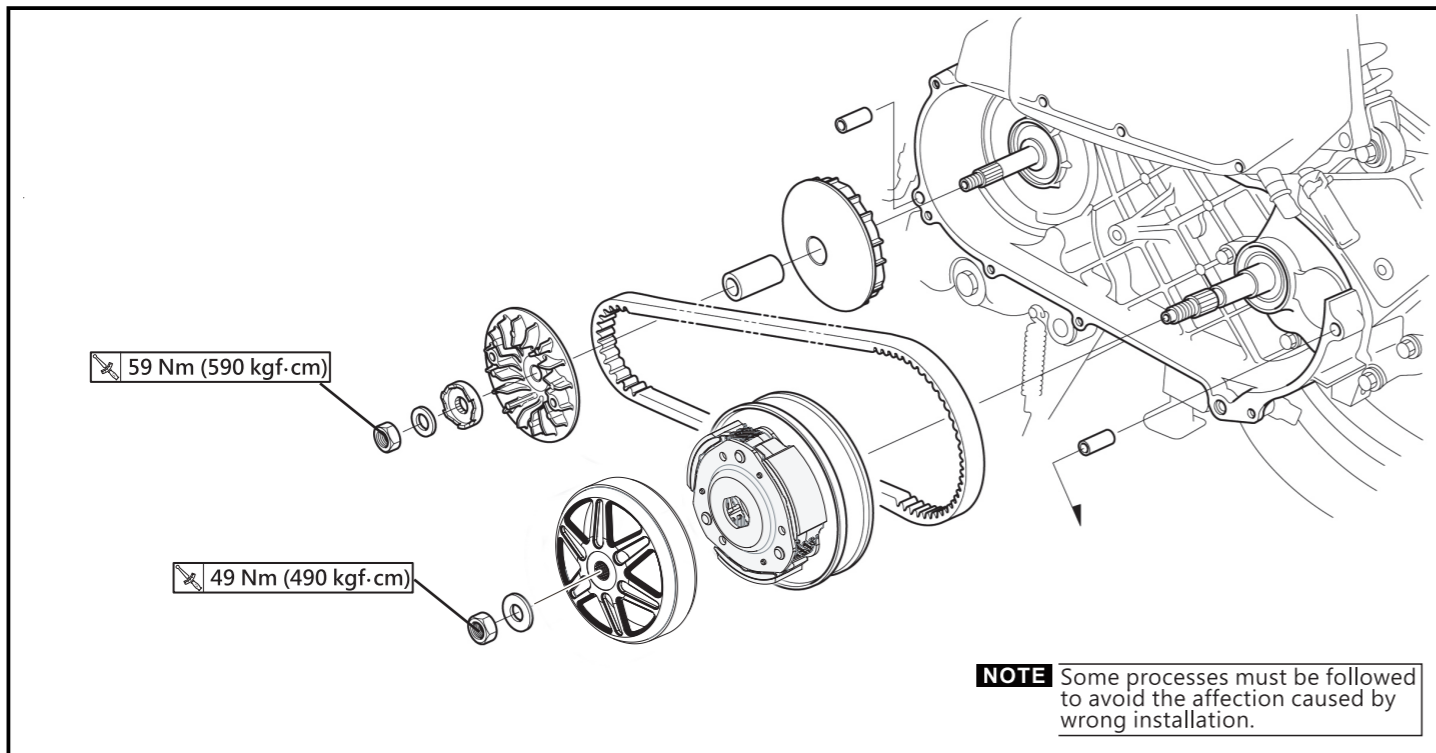
2-1 SPECIFICATIONS (SPORT CLUTCH)

- Size D121.2 X H 38.2 mm
- Clutch weight 231g
- Clutch spring free length 31.5mm

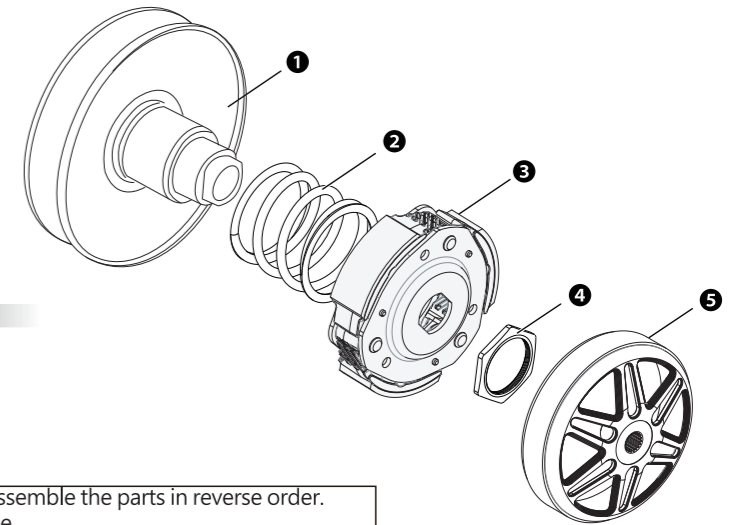
2-2 SPECIFICATIONS (CLUTCH BELL)

- Material Carbon steel
- Weight 821g
- Speciality Heavy-load and light-load design has better rotational accuracy and dynamic balance

3 INSTALLATION INSTRUCTION



3 TORQUE CAM INSTALLATION INSTRUCTION



Please proceed as follows

- 1 Three Axle
- 2 Clutch Spring
- 3 weight Clutch (Accessories 1)
- 4 Clutch carrier assembly nut
- 5 Clutch Bell (Accessories 2)

NOTE Please do according to figure in order. Make sure to disassemble the parts in reverse order. Please refer to the above picture for installation sequence.

4 CLUTCH SPRING INSTALLATION INSTRUCTION

1. Please using one of below tool to install clutch spring

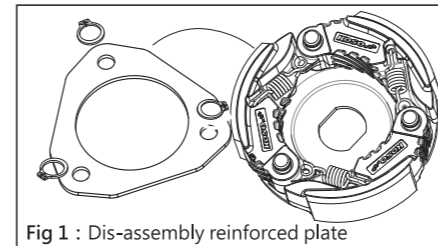


Fig 1 : Dis-assembly reinforced plate

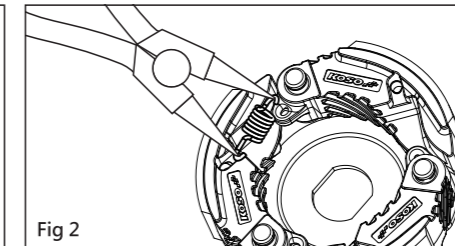


Fig 2

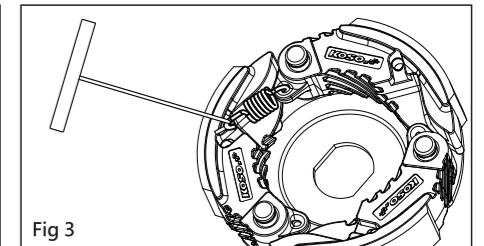


Fig 3

Needle nose Pliers (Fig 2) - Prop and open the spring to install spring into spring fix hole. Spring hook (Fig 3) - fix one side of spring into spring hole. Using spring hook pull spring and fix another side of spring into the position you would like install spring on.

△ Please using the spring tool to install clutch spring. Do not over pull spring when install. It may cause spring out of shape and the performance will showing not as expect.

2. Please change spring position per your inquiry.

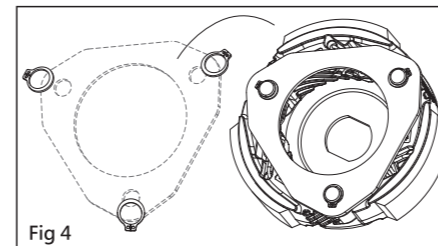
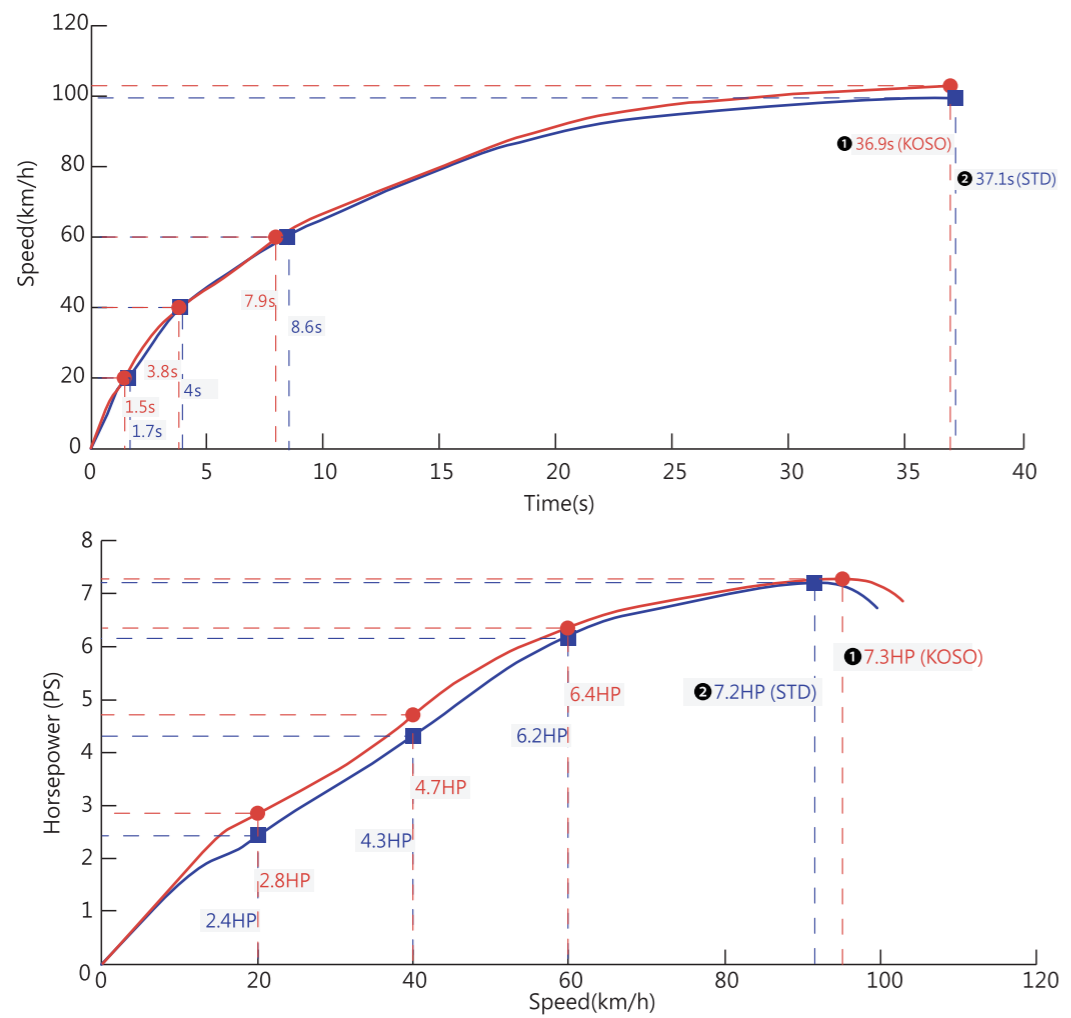


Fig 4

△ **CAUTION!** Please using original spring which with clutch only. If using non-original spring clutch damage. The warranty will be invalid.

△ **CAUTION!** Do not use this product with clutch bell which has sand blasting inside of it and Be sure the clutch and clutch hosing do not infected by oil when install.

5 POWER CURVE COMPARE CHART



- NOTE ① KOSO Sport Clutch Kit
- NOTE ② STD
- NOTE Test results vary with testing environment and weather. This test chart is for reference only.