



● Thank you for purchasing The Product. Before installation, please read the instruction carefully. We recommend that you store the instruction sheet in a safe place for future reference.

⚠ NOTICE

- To install, follow the steps as described in the manual. Any damages caused by not following directions voids warranty.
- Correct tools must be used for installation.
- Do not modify any parts unless specifically stated in the instruction manual.
- Interior controller maintenance should be performed by a professional only.

⊙ EXPLANATION OF SYMBOLS

NOTE Read this information carefully regarding the essential features.

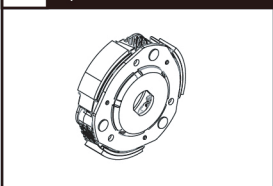
⚠ Some processes must follow to avoid the affection caused by wrong installation.

⚠ CAUTION! Some processes must follows to avoid the damage to yourself or public.

🔧 Denotes the tightening torque value.

1-1 ACCESSORIES

1 Sport Clutch X1



NOTE Please contact your local distributor if the items received are not the same as the one listed above.

1-2 OPTIONAL ACCESSORIES

1 Clutch Outer



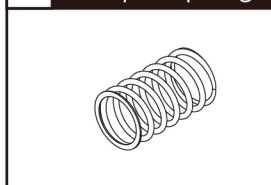
1 Drive Pulley



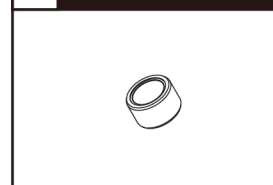
2 Drive Face



3 Toeque Spring

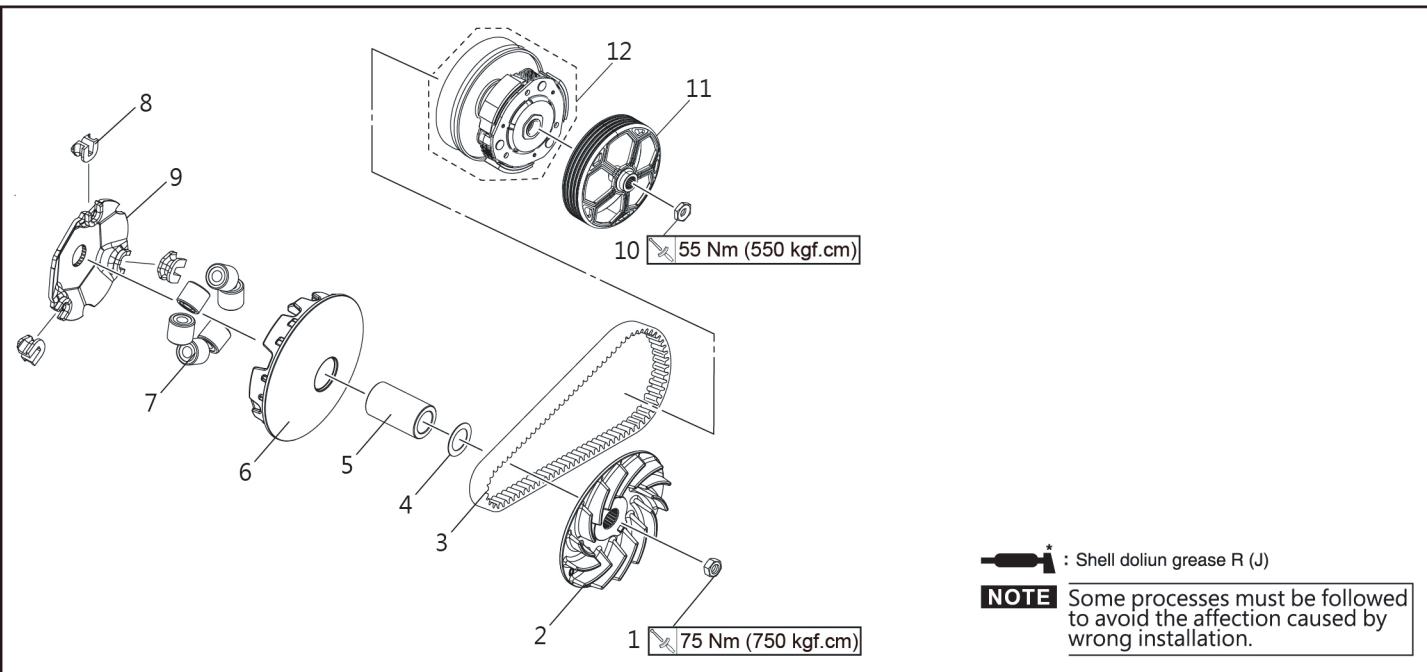


4 Roller 20x15mm



NOTE Some of these items may not sell in particular area, for more information, please contact with our local dealer.

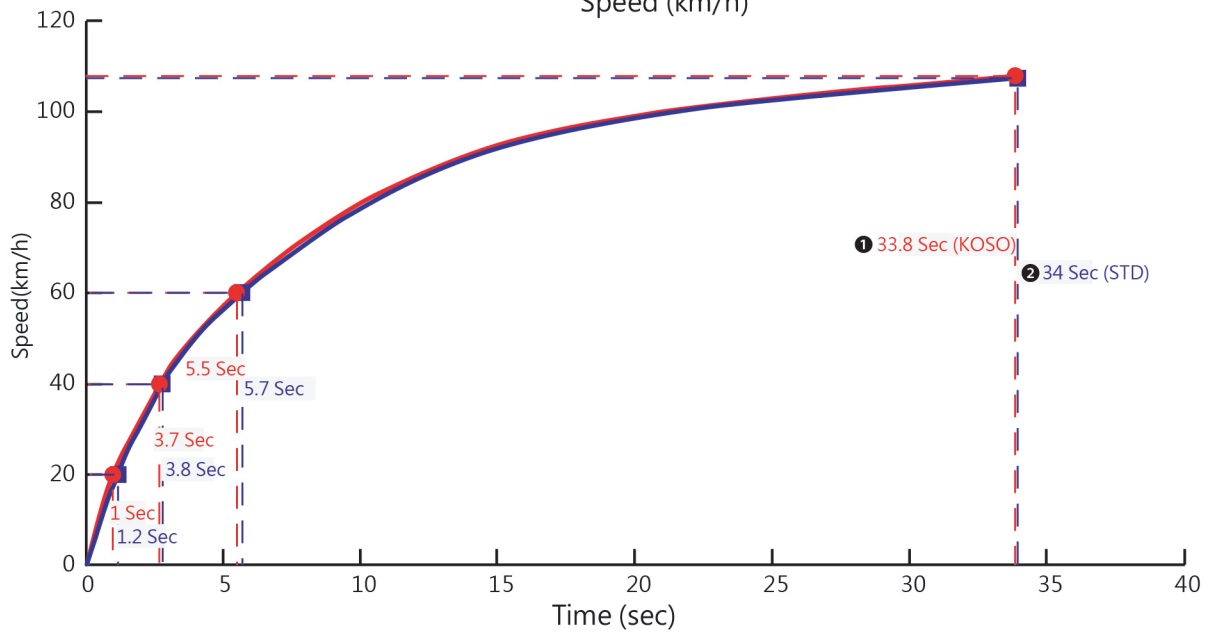
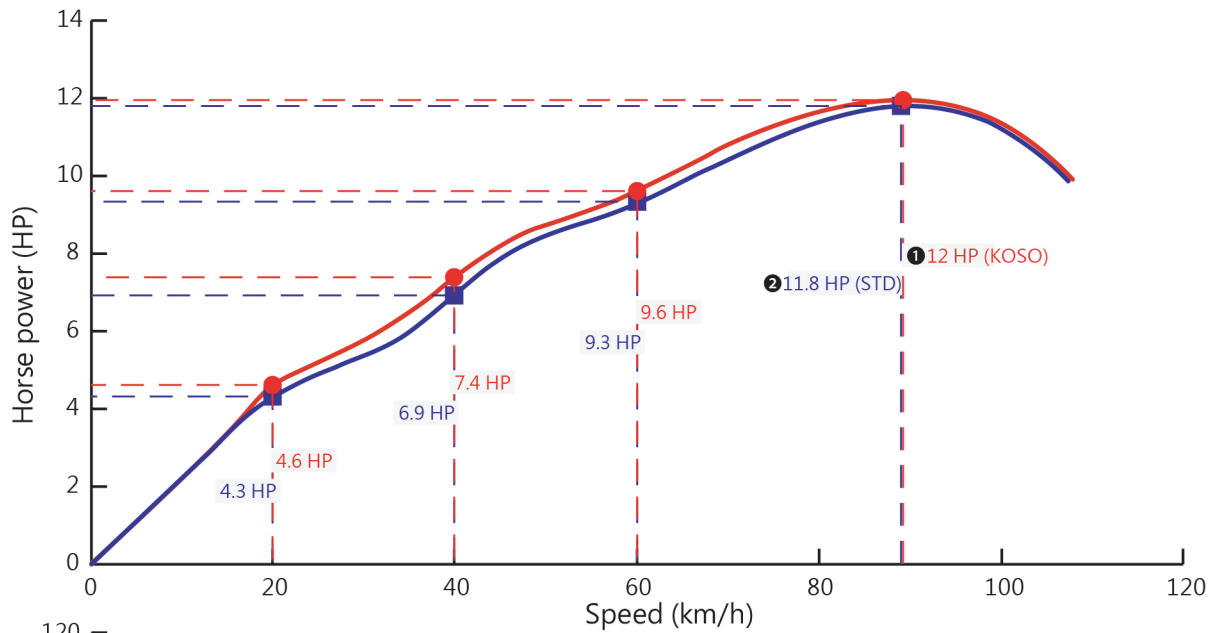
2-1 INSTALLATION INSTRUCTION



2-2 SPECIFICATIONS

- Size D132.6 X H 38.5 mm
- Clutch weight 238g
- Clutch spring free length 31.2mm

3 POWER CURVE COMPARE CHART



NOTE 1 KOSO Drive Pulley +KOSO Drive Face+Spring 1000 RPM+Roller (19x17mm 13g x6=78g)+KOSO VESPA SPORT CLUTCH+KOSO VESPA CLUTCH OUTER.

NOTE 2 KOSO Drive Pulley +KOSO Drive Face+Spring 1000 RPM+Roller (19x17mm 13g x6=78g)+STD VESPA SPORT CLUTCH+STD VESPA CLUTCH OUTER.

NOTE Test results vary with testing environment and weather. This test chart is for reference only.