



● Thank you for purchasing the our product. Before installing, please read the instruction carefully and keep it for future re ference.

⚠ NOTICE

- To install, follow the steps as described in the manual. Any damages caused by not following directions voids warranty.
- Correct tools must be used for installation.
- Do not modify any parts unless specifically stated in the instruction manual.
- Interior controller maintenance should be performed by a professional only.

◎ **SYMBOL NOTE:**

NOTE Read this information carefully regarding the essential features.

⚠ Some procedures must be followed to avoid damages to the instrument.

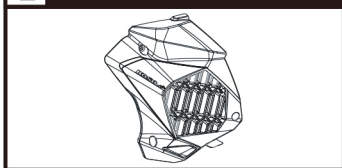
⚠ **CAUTION!** Some processes must be followed to avoid the damage to the vehicle.

🛠 To smear grease before installation.

🔧 Denotes the tightening torque value.

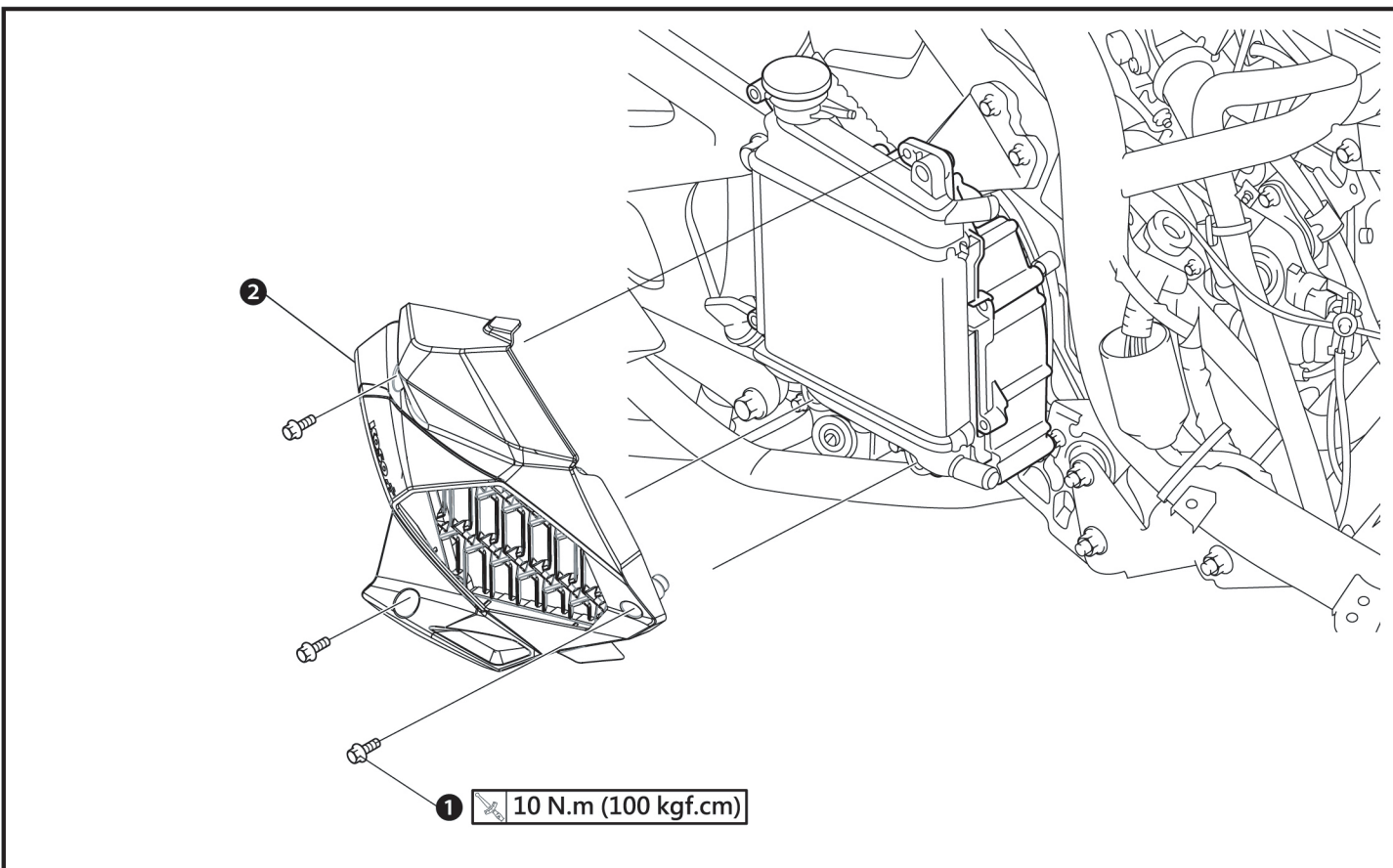
1 ACCESSORY

1 RADIATOR GUARD x1



NOTE Please contact your local distributor if the items received are not the same as the one listed above.

2 INSTALLATION INSTRUCTION



PLEASE PROCEED AS FOLLOWS

1. Please use appropriate tools to remove the ❶ original fixing screw M6x20mm X3 and the original radiator guard.
2. Please use appropriate tools to install the ❷ KOSO radiator guard (Accessory 1) on the vehicle for completion.