



● Thank you for purchasing our product. Before installing/operating the product, please read the instruction thoroughly and retain them for future reference.

⚠ Attention!

1. For installation, please follow the steps described in manual. Any damage caused by wrong installation shall be imputed to the users.
2. Do not disassemble or change any parts excluding the manual description.
3. The interior examination or maintenance should be executed by our professionals.

Ⓞ Symbol Description:

NOTE You could get the installation details from the information behind the mark.

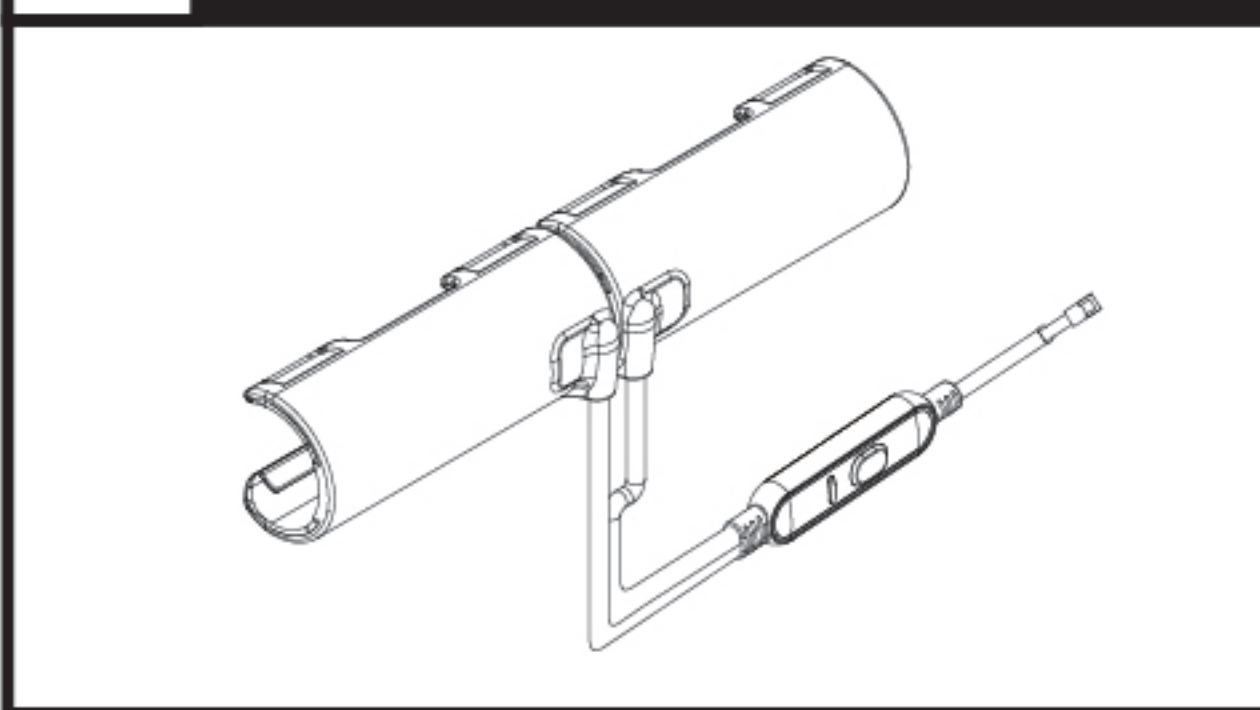
⚠ Some processes must be followed to avoid the affection caused by wrong installation.

⚠ WARNING! Certain procedure must be followed to avoid damages to yourself or the public.

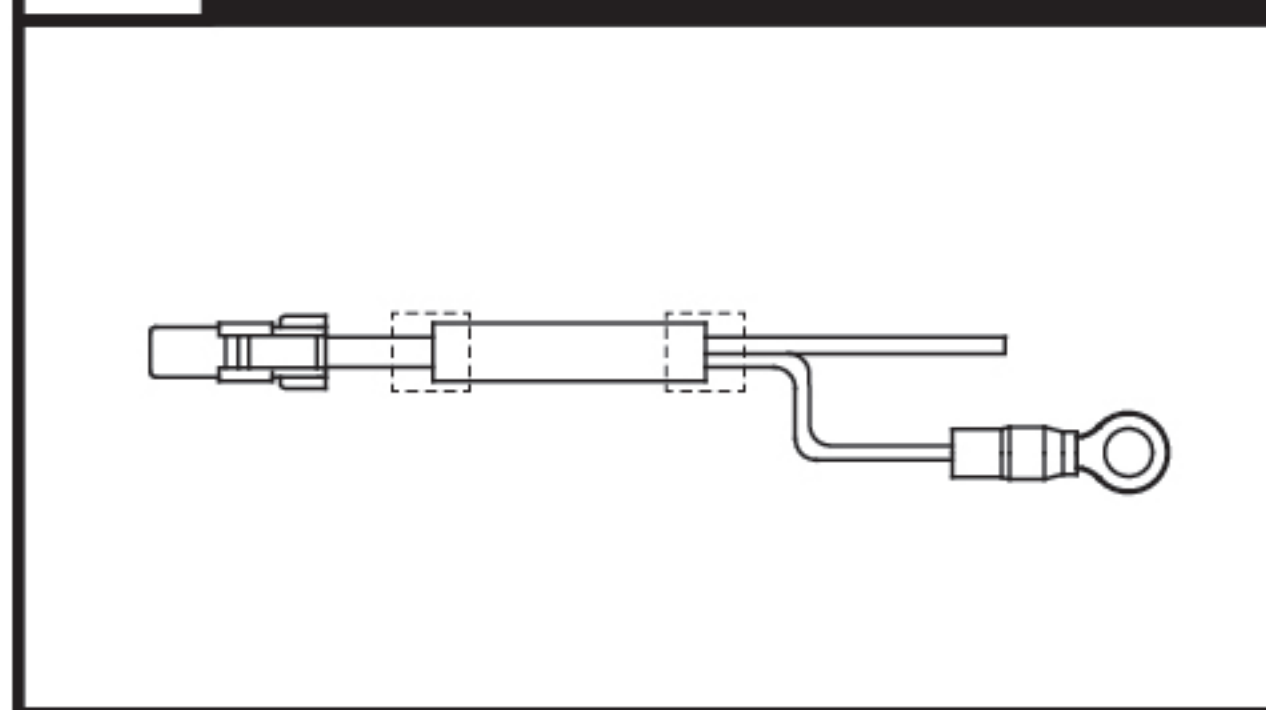
⚠ CAUTION! Certain procedure must be followed to avoid damages to the vehicle.

1 Accessory

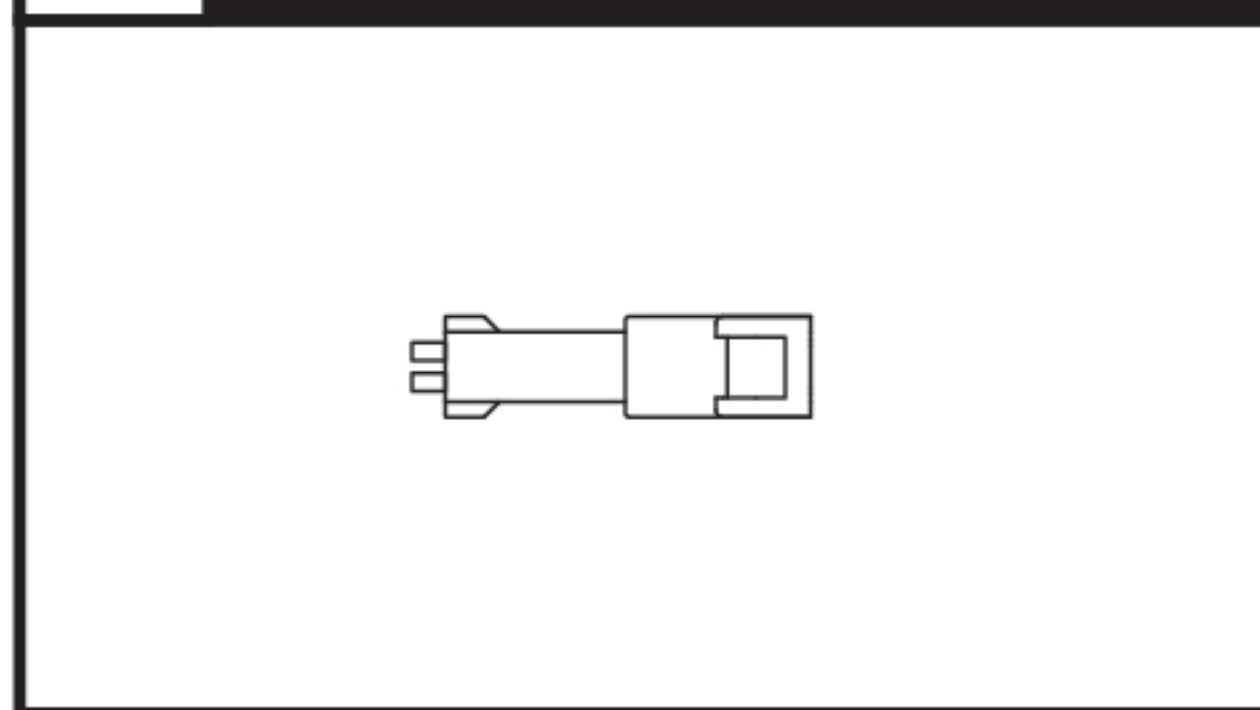
1 Heated grip sleeves X1



2 Power cable X1

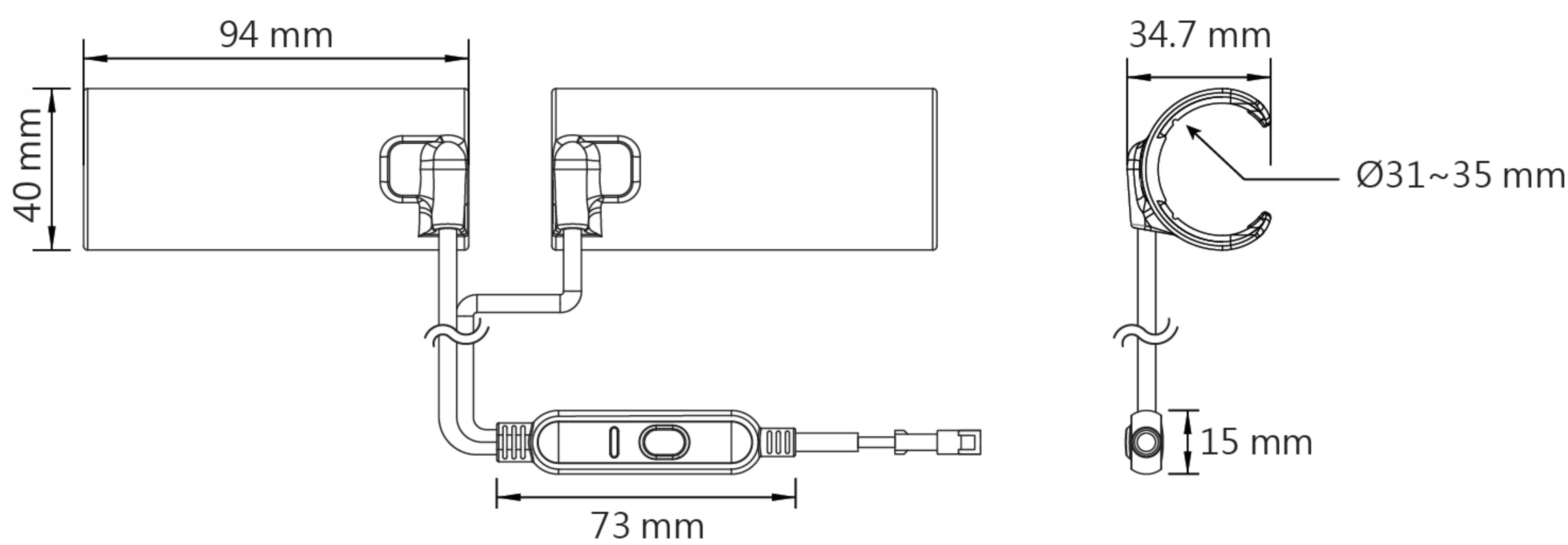


3 Waterproof terminal X2



NOTE Please contact the local distributor if the items you open are not the same, with the above-listed one.

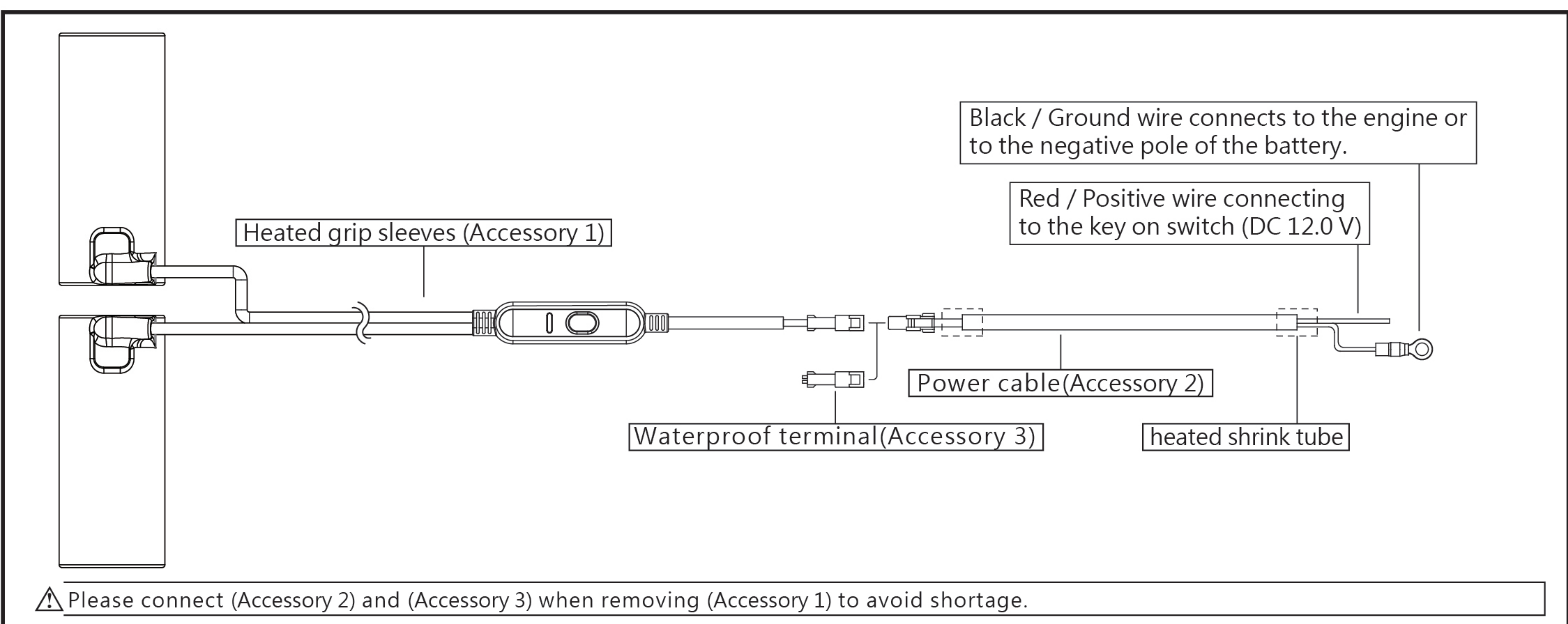
2 Instruction of function



● Working Voltage	Rated Voltage : DC 12.0 V Consumed Power : 10W
● Effective temperature range	-10 ~ 60 °C
● IP Level	IP54
● Size	94 X 34.7 mm
● Weight	About 89 g

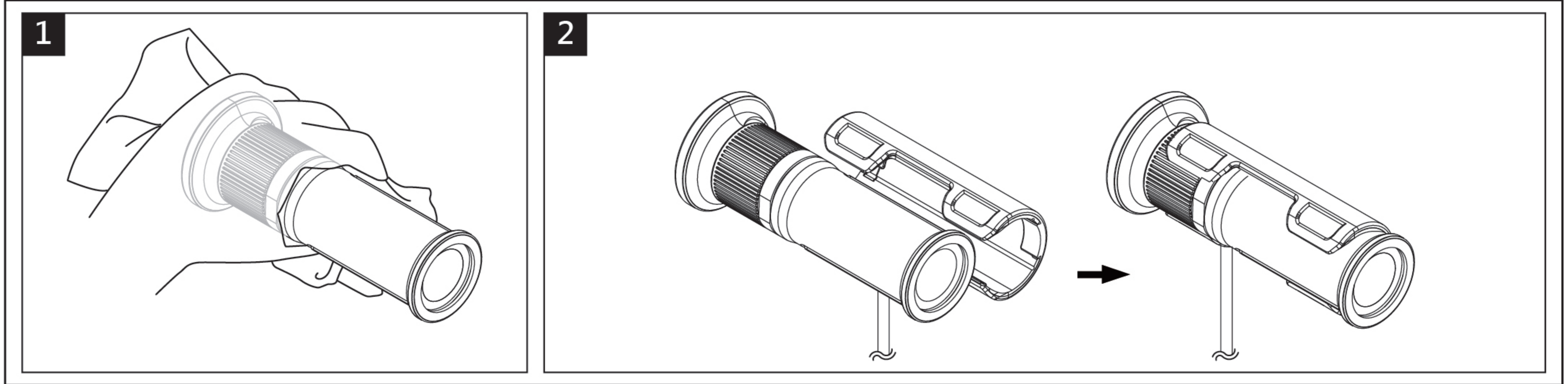
NOTE Design and specifications are subject to change without notice!

3-1 Wiring installation instructions



3-2 Practical installation instruction

Follow the steps below during installation.



1. Please wipe clean the oil stain, moisture, and dust before installation.
2. To allow fingers to feel the warmth, the angle of the heated grip shall contact the hand in parallel.

⚠ Please be aware of the direction and distance of the wirings in case of insufficient length of the wirings.

NOTE The installation tightness may differ according to the materials and appearances of the vehicle's grips; overrelaxation may affect the ride and cause dangers; please do not impose such usages.

4 Heating Function Instruction

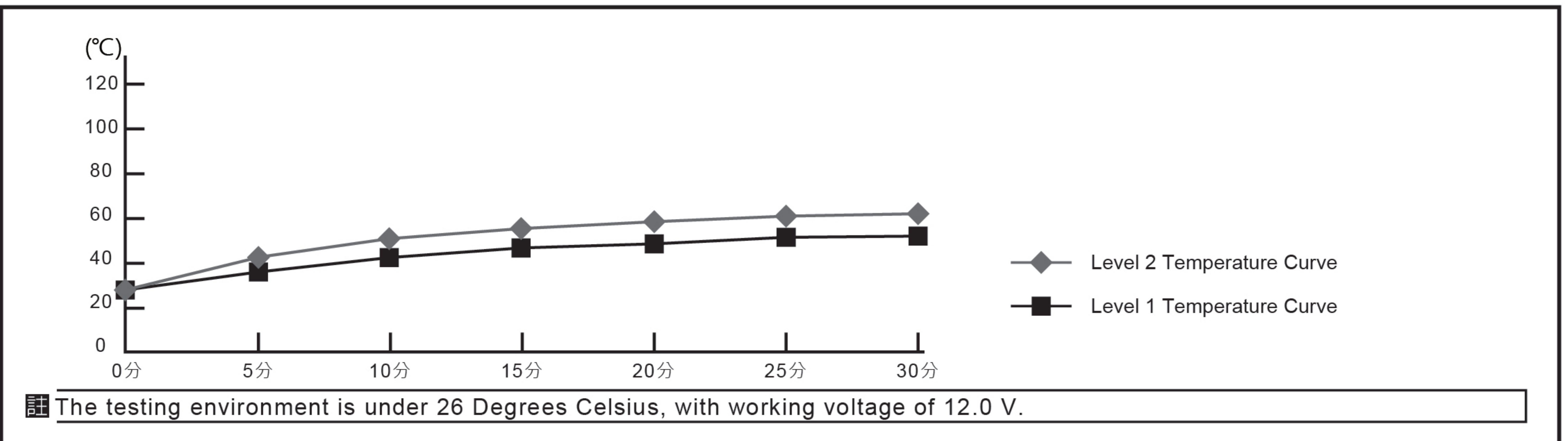
- Key-On
- Short Press: Enter Level 2

NOTE When no button pressed then it's in the turn-off mode which means no heating and no light up.

- Level 2: Heating Output - About 10W
Color of Light - Red
- Short Press: Enter Level 1

- Level 1: Heating Output - About 5W
Color of Light - Yellow
- Short Press: Off

5 Heated grip testing data



6 Low Battery Warning Instruction

- Low Battery Warning Activate Condition :
When voltage lower than 11.5 V and more than 5 seconds.
- Heating Output : Turn-Off
- Indicator : Light Flashing
- When the voltage return to normal,
heating power will automatically restore.

NOTE Condition to Restore Normal Status :
Detected voltage higher than 11.5 V and more than 5 seconds.

7 Trouble Shooting

The following situation do not indicate malfunction of the meter. Please check the following before taking it in for repair.

Trouble	Check item
LED indication does not activate.	<ul style="list-style-type: none"> ● JST connector disconnected. → Please check if JST connector is broken or disconnected.
When turn the key on, the headed grip is not heating up.	<ul style="list-style-type: none"> ● It might be the battery is running out. → Please check your battery voltage as soon as possible. ● It might because by no power supply. → Please check if power harness and fuse broken or disconnected. → Please check if positive pole and negative pole is well connected.

※If the problems still can't be solved, please contact your local distributor to get assistance