

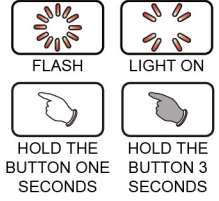


● Thank you for purchasing our product. Before using, please read the instructions carefully and retain them for future reference.

**⚠ Attention!**

- For installation, please follow the steps described. Any damage caused by wrong installation shall be imputed to the users.
- To avoid a short circuit from occurring do not pull or modify the wires during installation.
- Do not disassemble or change any parts. Opening and disassembling this unit will void any warranty.
- Maintenance and repairs should be executed by our professionals only.

⦿ Symbol description:



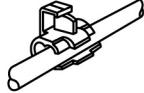



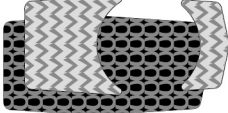


**NOTE**

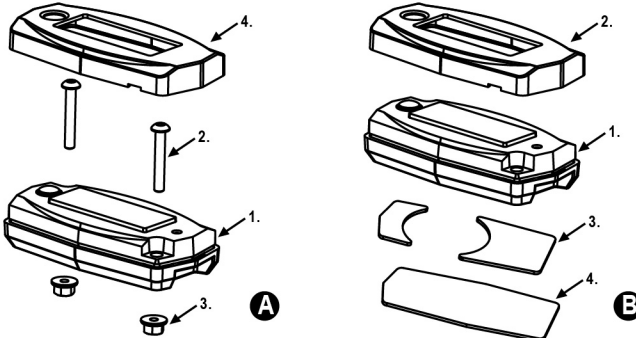
⚠ Some procedures must be followed to avoid damages to the instrument.

⚠ **WARNING!** Certain procedure must be followed to avoid damages to yourself, to the vehicle or others.

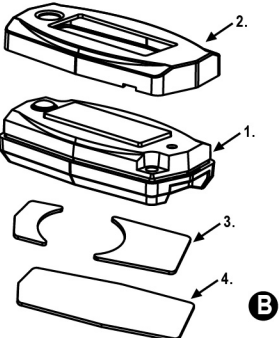
**1 Accessory**

<p><b>1</b> LCD meter X1</p> 	<p><b>2</b> Meter Cover X1</p> 	<p><b>3</b> Mid-way connector X2</p> 	<p><b>4</b> M3 x L20 HEX socket set screw x2</p> 
<p><b>5</b> M3 x P0.5 nut X2</p> 	<p><b>6</b> Battery X1</p> 	<p><b>7</b> Velcro X 1set</p> 	

**2-1 Installation instructions**



**A**



**B**

**Follow those steps when installing.**

**A**

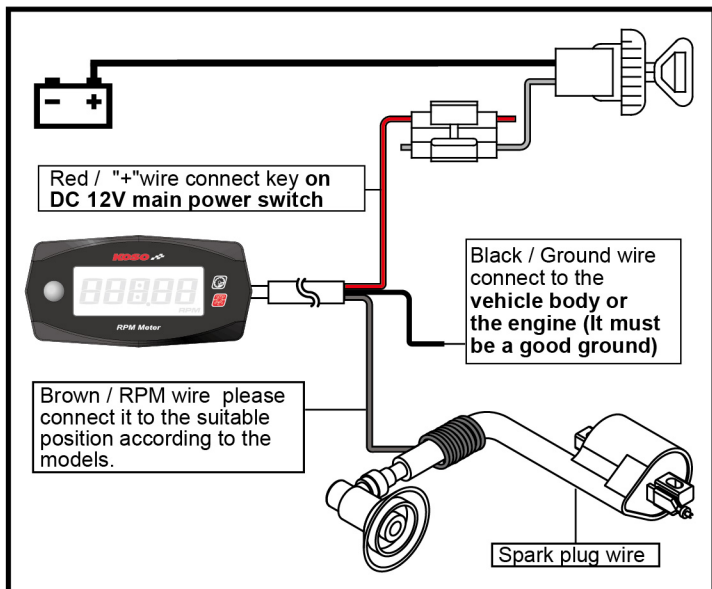
- 1.LCD meter(Accessory 1)
- 2.HEX socket set screw(Accessory 4)
- 3.Nut(Accessory 5)
- 4.Meter Cover(Accessory 2)

**B**

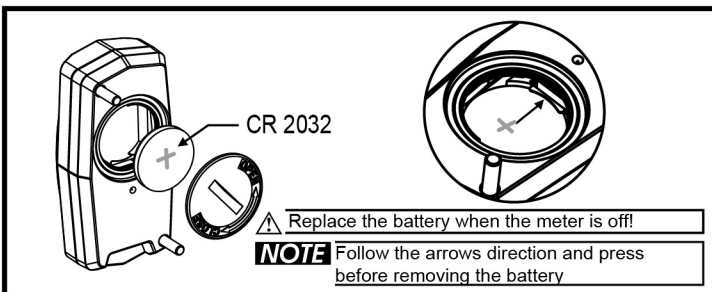
- 1.LCD meter(Accessory 1)
- 2.Meter Cover(Accessory 2)
- 3.Velcro-Male(Accessory 7)
- 4.Velcro-Female(Accessory 7)

**NOTE** Choose method A or B according to your need.

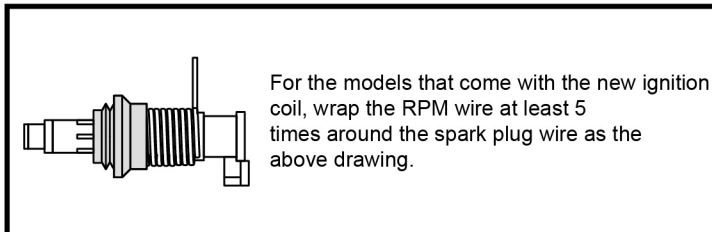
**2-2 Wiring installation instructions**



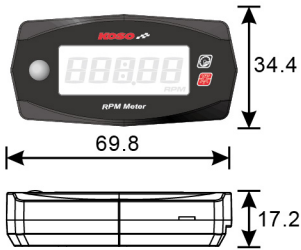
**2-3 Battery installation instructions**



**2-4 New type ignition system**



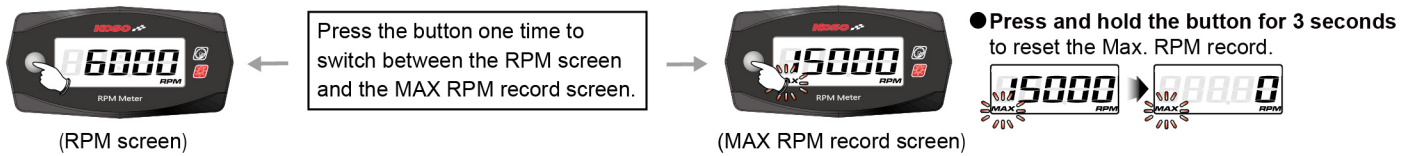
### 3 Instruction of function



● Digital Tachometer	Display range : 0~20,000 RPM Display unit : 10 RPM
○ Display internal	<0.5 Sec.
○ MAX RPM record	Display range: 0~20,000 RPM
○ RPM input pulse	Setting range : 0.5, 1, 1.5, 2, 2.5, 3, 4, 5, 6
○ Shift light	Setting range : 5,000~20,000 RPM Setting unit : 100 RPM
● Supply voltage	DC 12V
● Battery type	CR 2032
● Battery lifetime	About 350 H (when battery volume is below 250 mAh)
● Effective temperature range	-10~60°C
● Meter standard	JIS D 0203
● Meter size	W69.8 X L34.4X H17.2 mm
● Meter weight	About 47.6g

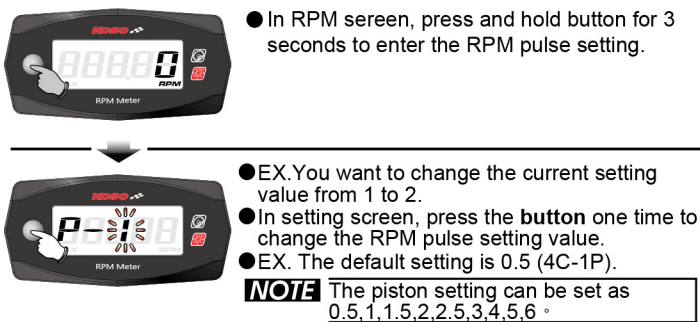
**NOTE** Design and specifications are subject to change without notice.

### 4 The button function instruction



**WARNING!** The meter will turn on when the button is pressed and it will remain on when there is signal input. The meter will turn off automatically after 30 seconds without signal input or operation.

### 5 RPM pulse & Shift light setting

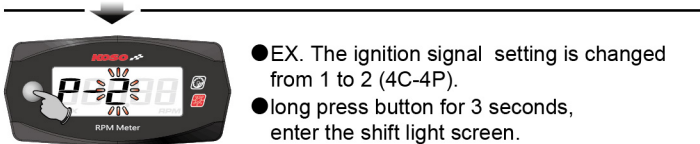


- In RPM screen, press and hold button for 3 seconds to enter the RPM pulse setting.
  - EX. You want to change the current setting value from 1 to 2.
  - In setting screen, press the button one time to change the RPM pulse setting value.
  - EX. The default setting is 0.5 (4C-1P).
- NOTE** The piston setting can be set as 0.5, 1, 1.5, 2, 2.5, 3, 4, 5, 6.

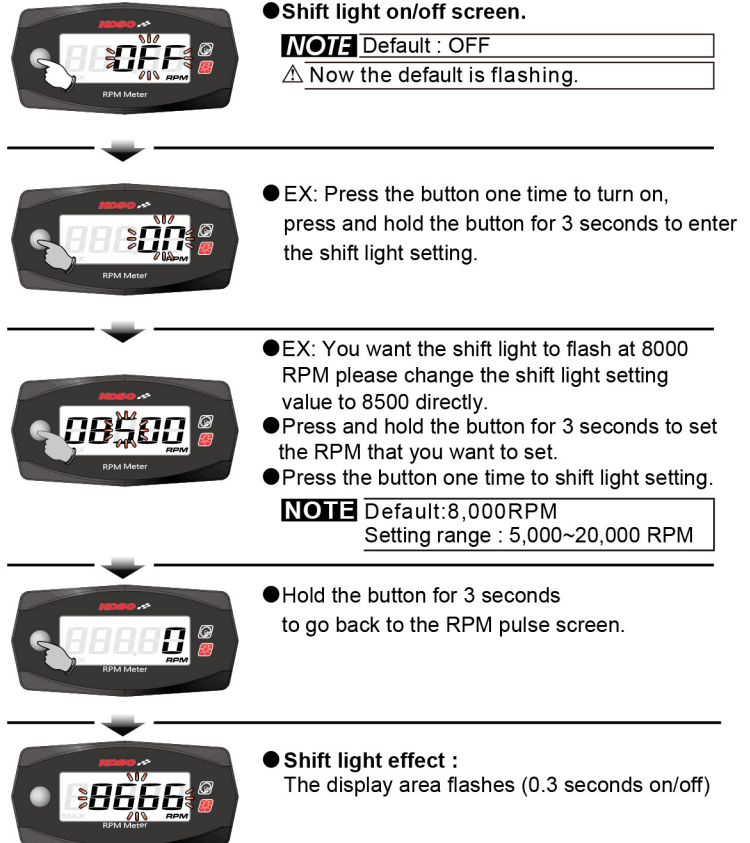
▲ Now the RPM pulse setting is flashing!

The setting value	The corresponding stroke and pistons number	The corresponding RPM signal number per ignition.
0.5	4C-1P	2 RPM signals per 1 ignition.
1	2C-1P 4C-2P	1 RPM signal per 1 ignition.
1.5	4C-3P	2 RPM signals per 3 ignition.
2	2C-2P 4C-4P	1 RPM signal per 2 ignition.
2.5	4C-5P	2 RPM signals per 4 ignition.
3	2C-3P 4C-6P	1 RPM signal per 3 ignition.
4	2C-4P 4C-8P	1 RPM signal per 4 ignition.
5	4C-10P	1 RPM signal per 5 ignition.
6	2C-6P 4C-12P	1 RPM signal per 6 ignition.

**WARNING!** Most of the 4 strokes bikes with single cylinder are igniting once every 360 degree, so the setting should be the same as the bike with 2-cycle and one piston engine.



- EX. The ignition signal setting is changed from 1 to 2 (4C-4P).
- long press button for 3 seconds, enter the shift light screen.



- Shift light on/off screen.
- NOTE** Default : OFF
- ▲ Now the default is flashing.
- EX: Press the button one time to turn on, press and hold the button for 3 seconds to enter the shift light setting.
- EX: You want the shift light to flash at 8000 RPM please change the shift light setting value to 8500 directly.
- Press and hold the button for 3 seconds to set the RPM that you want to set.
- Press the button one time to shift light setting.
- NOTE** Default: 8,000RPM  
Setting range : 5,000~20,000 RPM
- Hold the button for 3 seconds to go back to the RPM pulse screen.
- Shift light effect :  
The display area flashes (0.3 seconds on/off)

### 6 Trouble shooting

The following situation does not indicate malfunction of the meter. Check the following before taking it in for repair.

Trouble	Check item	Trouble	Check item
The meter shows wrong information.	<ul style="list-style-type: none"> <li>● Maybe the problem is caused by the insufficient power → Please change the inner battery. CR 2032.)</li> <li>● Maybe the problem is caused by wrong battery installation → Please check is the battery direction is correct.</li> </ul>	Tachometer does not appear or appear incorrectly.	<ul style="list-style-type: none"> <li>● Check the RPM sensor wire is connected correctly.</li> <li>● Check the spark plug is R type or not. If not, please replace the spark plug with the R type spark plug.</li> <li>● Check your setting. → Please refer to the manual 5.</li> </ul>

※ If the issue still cannot be solved, please contact our technical department.