



● Thank you for purchasing the our product. Before installing, please read the instruction carefully and keep it for future re ference.

## ⚠ NOTICE

- To install, follow the steps as described in the manual. Any damages caused by not following directions voids warranty.
- Correct tools must be used for installation.
- Do not modify any parts unless specifically stated in the instruction manual.
- Interior controller maintenance should be performed by a professional only.

◎ SYMBOL NOTE:

**NOTE** Read this information carefully regarding the essential features.

⚠ Some procedures must be followed to avoid damages to the instrument.

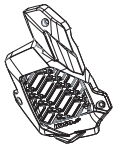
⚠ **CAUTION!** Some processes must be followed to avoid the damage to the vehicle.

🔧 To smear grease before installation.

🔩 Denotes the tightening torque value.

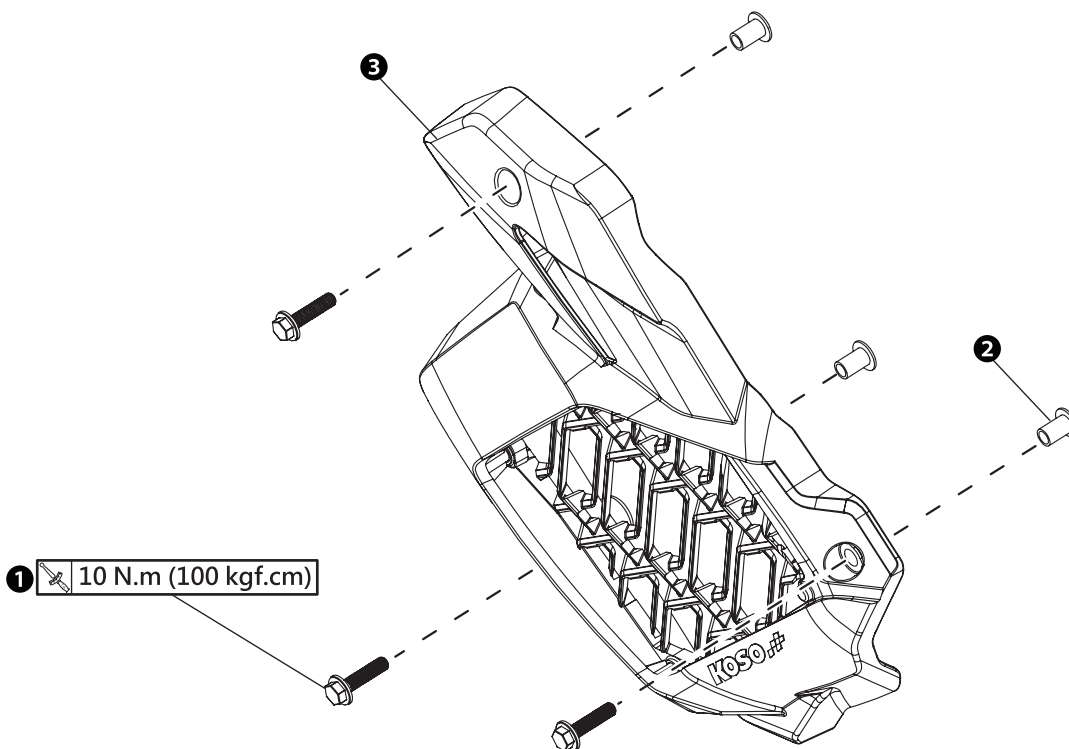
## 1 ACCESSORY

### 1 RADIATOR GUARD x1



**NOTE** Please contact your local distributor if the items received are not the same as the one listed above.

## 2 INSTALLATION INSTRUCTION



### PLEASE PROCEED AS FOLLOWS

1. Please use appropriate tools to remove the ❶ original fixing screw X3 and the original radiator guard.
2. Remove the ❷ original screw bushing X3 and install it on the ❸ KOSO radiator guard (Accessory 1).
3. Please use appropriate tools to install the ❸ KOSO radiator guard on the vehicle for completion.