



● Thank you for purchasing HONDA MSX Super flow oil pump, please read the instruction thoroughly before installing.

⚠ Notice

- For installation, please follow the steps described in manual. Any damage caused by wrong installation shall be imputed to the users.
- Don't break or modify the wire terminal. To avoid the short circuit, please don't pull the wire when installing.
- Do not disassemble or change any parts excluding the manual description.
- The interior examination or maintenance should be executed by our professionals.

⊙ **EXPLANATION OF SYMBOLS**

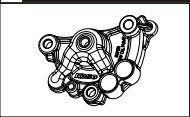
Means the torque value required for fastening the screws.

NOTE Read this information carefully regarding the essential features.

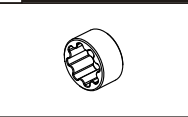
To smear screw glue before installation.

1 ACCESSORIES

1 Super flow oil pump X1



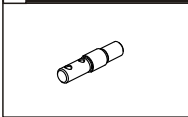
2 Outer rotor X1



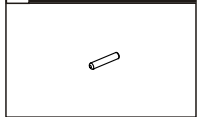
3 Inner rotor X1



4 Axle X1

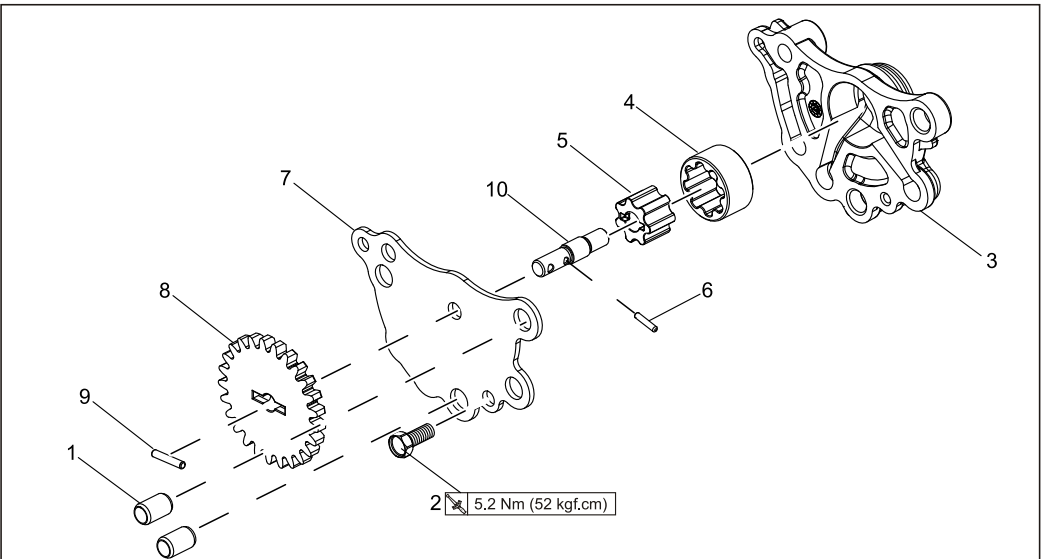


5 Fixed pin X1



NOTE Please contact the local distributor if the items you open are not the same, with the above- listed one.

2 HOW TO REMOVE AND INSTALL TRANSMISSION COVER

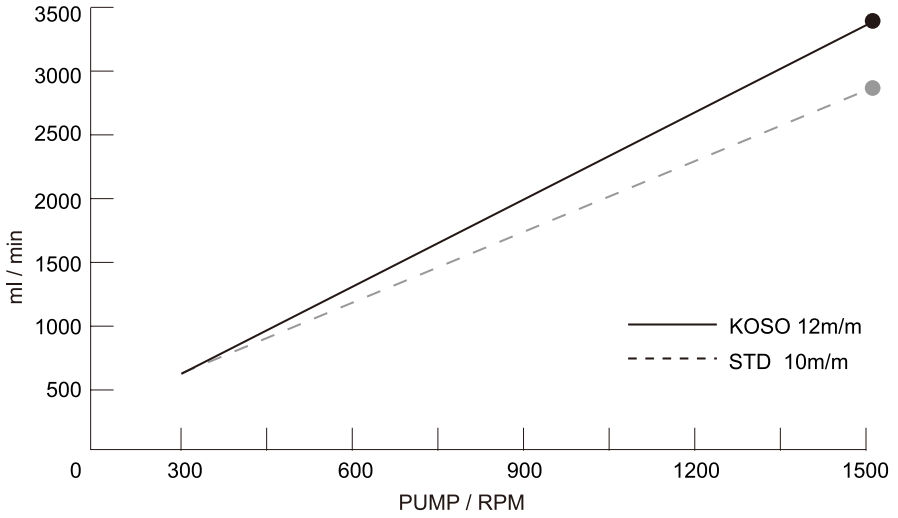


Please follow the instructions when removing

- | | | |
|------------------------------|------------------------------|--------------------------------------|
| 1. Lock pin | 2. Screw | 3. Super flow oil pump (Accessory 1) |
| 4. Outer rotor (Accessory 2) | 5. Inner rotor (Accessory 3) | 6. Fixed pin (Accessory 5) |
| 7. Gasket | 8. Gear | 9. STD Fixed pin |
| 10. Axle (Accessory 4) | | |

NOTE Please do according to figure in order. Make sure to disassemble the parts in reverse order. Please refer to the above picture for installation sequence.

3 PUMP FLOW CURVE CHART



NOTE Pump flow is 20% more than original one.