

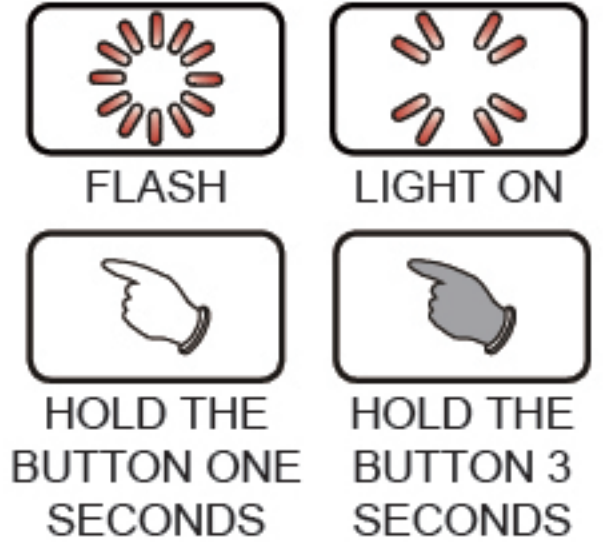


● Thank you for purchasing our product. This product is a multifunction meter and is easy to install. Before using, please read the instructions carefully and retain them for future reference.

⚠ Attention!

- For installation, please follow the steps described. Any damage caused by wrong installation shall be imputed to the users.
- To avoid a short circuit from occurring do not pull or modify the wires during installation.
- Do not disassemble or change any parts. Opening and disassembling this unit will void any warranty.
- Maintenance and repairs should be executed by our professionals only.

Ⓞ Symbol description:

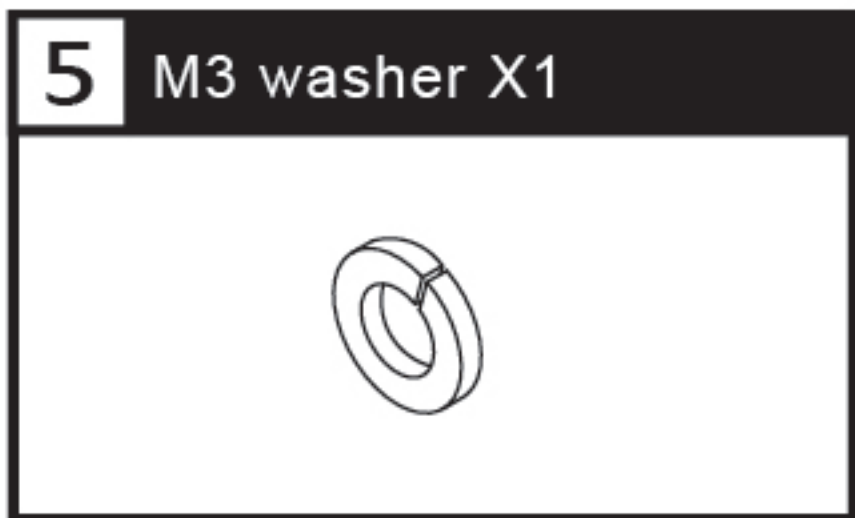
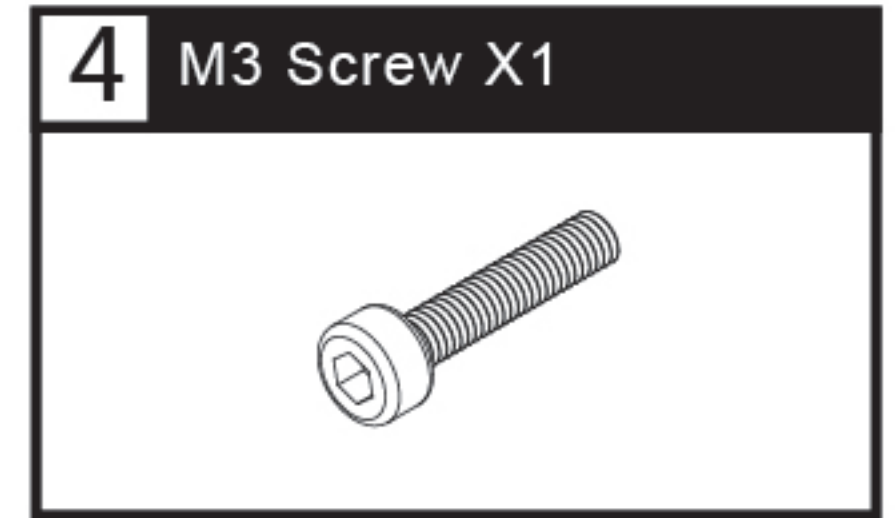
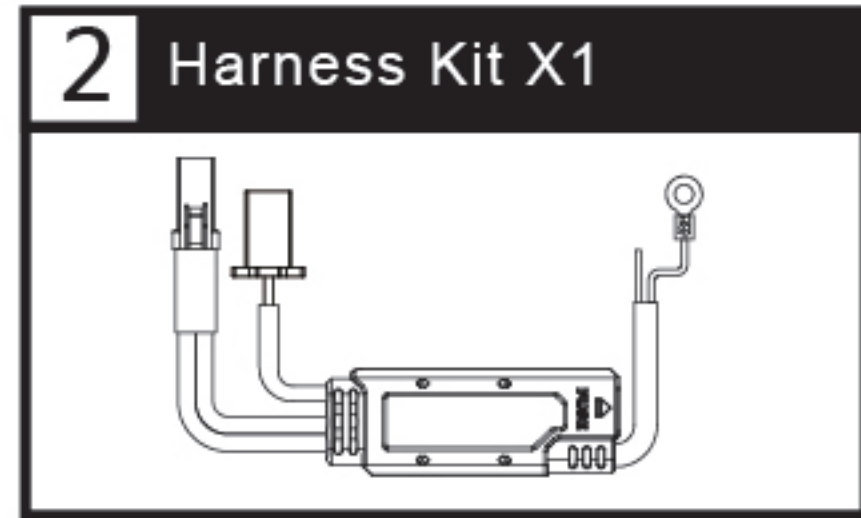
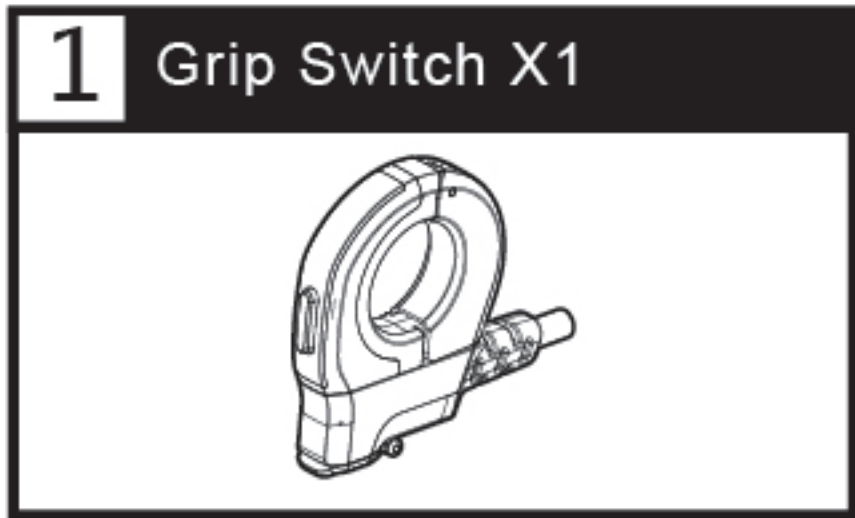


NOTE

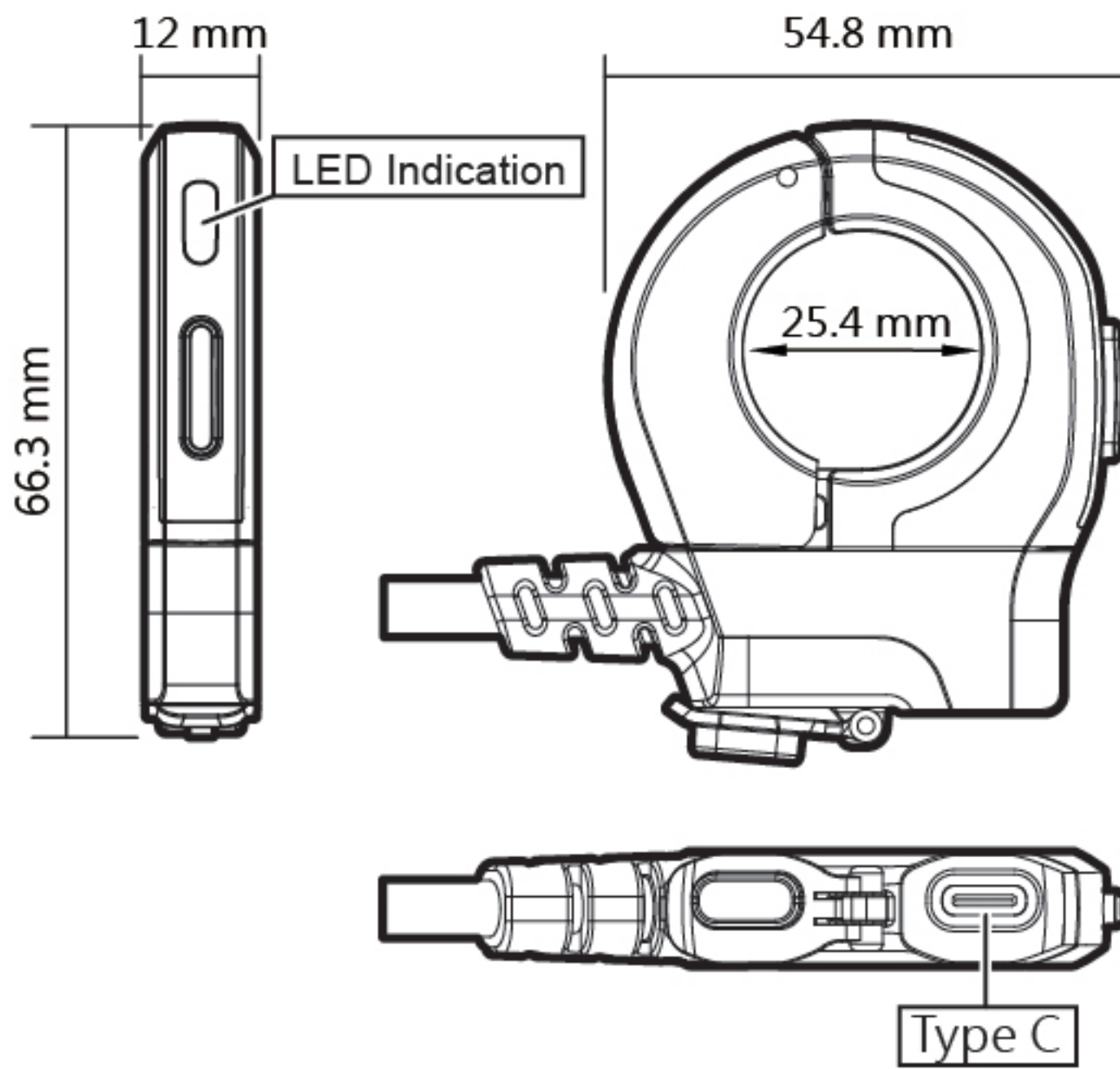
⚠ Some procedures must be followed to avoid damages to the instrument.

⚠ **WARNING!** Certain procedure must be followed to avoid damages to yourself, to the vehicle or others.

1 Accessories



2 Installation of function

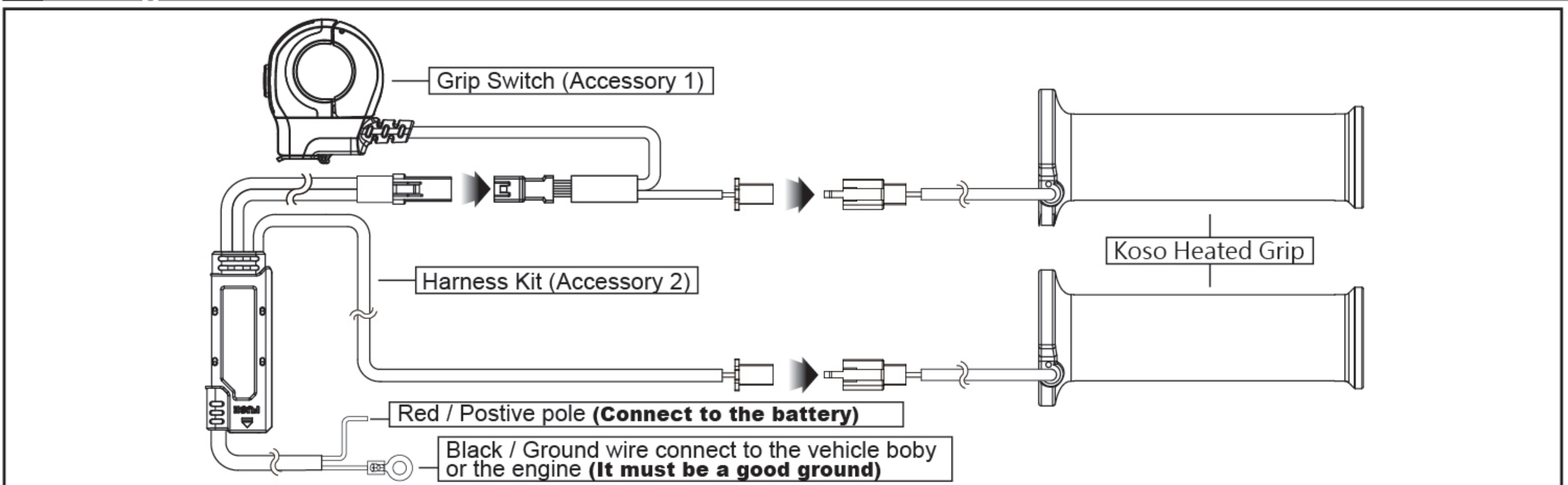


● Heating stage	Stage 1 (low) ~ Stage 5 (high)						
● Fuse type	7.5A (ASP)						
● Light Signal	<table border="0"> <tr> <td>■ Stage 1 [Blue]</td> <td>■ Stage 2 [Green]</td> <td>■ Stage 3 [Yellow]</td> </tr> <tr> <td>■ Stage 4 [Orange]</td> <td>■ Stage 5 [Red]</td> <td></td> </tr> </table>	■ Stage 1 [Blue]	■ Stage 2 [Green]	■ Stage 3 [Yellow]	■ Stage 4 [Orange]	■ Stage 5 [Red]	
■ Stage 1 [Blue]	■ Stage 2 [Green]	■ Stage 3 [Yellow]					
■ Stage 4 [Orange]	■ Stage 5 [Red]						
● USB Working Voltage	Voltage Range : DC 10 ~ 16 V Output specifications : DC 5V/3A DC 9V/2A (When input power is over 10.5V) 12V/1.5A (When input power is over 13.5V) Charging protocols : PD2.0/3.0 · PPS · APPLE 2.4A · QC4+ · AFC · FCP · SCP · PE2.0/1.1						
● Effective temperature range	-10 ~ 60 °C						
● IP Level	JIS D 0203						
● Size	66.3 X 12.0 X 54.8 mm						
● Weight	About 39g						

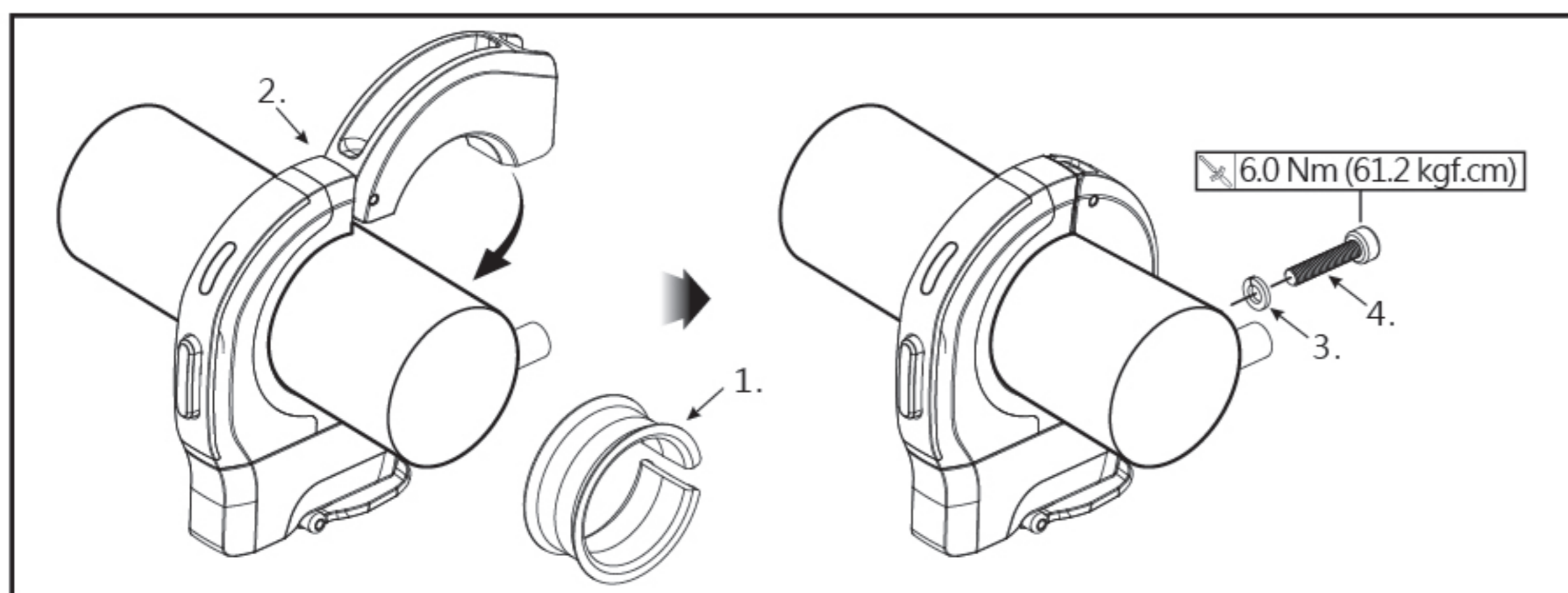
⚠ **Warning!** When raining, please do not charge and put on the cap.

NOTE Design and specifications are subject to change without notice.

3 Wiring installation instructions



4 Installation instruction



Follow the steps below during installation.

1. 7/8" clamp ring (Accessory 3)
2. Grip Switch (Accessory 1)
3. M3 washer X1 (Accessory 5)
4. M3 Screw X1 (Accessory 4) $\times 6.0 \text{ Nm (61.2 kgf.cm)}$

NOTE (Accessory 3) Please determine the diameter of handlebar to decide to install or not.

Warning! Please adjust the angle to avoid interfering the button when installing.

5 Heating Function Instruction

● Key-On: White Color Light Up Once
● Short Press: Enter Level 1

NOTE When no button pressed then it's in the turn-off mode which means no heating and no light up.

● Level 2:
Heating Output - 40%
Color of Light - Green
● Short Press: Enter Level 3

● Level 4:
Heating Output - 80%
Color of Light - Orange
● Short Press: Enter Level 5

● Level 1:
Heating Output - 20%
Color of Light - Blue
● Short Press: Enter Level 2

● Level 3:
Heating Output - 60%
Color of Light - Yellow
● Short Press: Enter Level 4

● Level 5:
Heating Output - 100%
Color of Light - Red
● Short Press: Turn-Off

NOTE Press and hold the button for 3 seconds could turn-off the heated grips in any level.

NOTE This Heated Grip combine the memorizing function which means no matter the grip was shut down in any level more than 3 seconds and restart, it will restore to the previous level.

6 Low Battery Warning Instruction

- Low Battery Warning Activate Condition : When voltage lower than 11.5 V and more than 5 seconds.
- Heating Output : Turn-Off
- Indicator : Purple Light Flashing
- Short Press During Warning : Temporary deactivate the warning.
- Short Press During Turn-Off : Purple light flashing 3 times and turn-off.

NOTE Condition to Restore Normal Status : Detected voltage higher than 13 V and more than 5 seconds.

7 Caution

- Please do not bend the in-line control unit on the harness kit, it might cause the unit broken.

8 Trouble Shooting

The following situation do not indicate malfunction of the meter. Please check the following before taking it in for repair.

Trouble	Check item	Trouble	Check item
Not charging or Indicator light not functioning.	<ul style="list-style-type: none"> ● There might be no power supplied. → Make sure the wires are connected. → Make sure the positive/negative poles are properly connected. → Battery malfunction or battery voltage lower than 10 V. → Check the wires of product and device. 	When turn the key on , the headed grip is not heating up.	<ul style="list-style-type: none"> ● It might be the battery is running out. → Please check your battery voltage as soon as possible. ● It might be causing by no power supply. → Please check if power harness and fuse broken or disconnected. → Please check if positive pole and negative pole is well connected.

※ If the problems still can't be solved, please contact your local distributor to get assistance.