



● Thank you for purchasing our product. Before installing, please read the instruction carefully and keep it for future reference.

## ⚠ ATTENTION!

- Please, follow the step-by-step instructions for proper installation. Any damages caused by faulty installation shall be imputed to the users.
- To avoid a short circuit, do not pull the wires when installing the unit. Do not break or modify the wires either.
- Do not disassemble or change any parts.
- Maintenance and repairs should be executed by our professionals only.
- ⦿ Mark Meaning:

**NOTE** You could get the installation details from the information behind the mark.

⚠ Some processes must be followed to avoid the affection caused by wrong installation.

⚠ **WARNING!** Some processes must be followed to avoid damages to yourself or the public.

⚠ **CAUTION!** Some processes must be followed to avoid the damage to the vehicle.

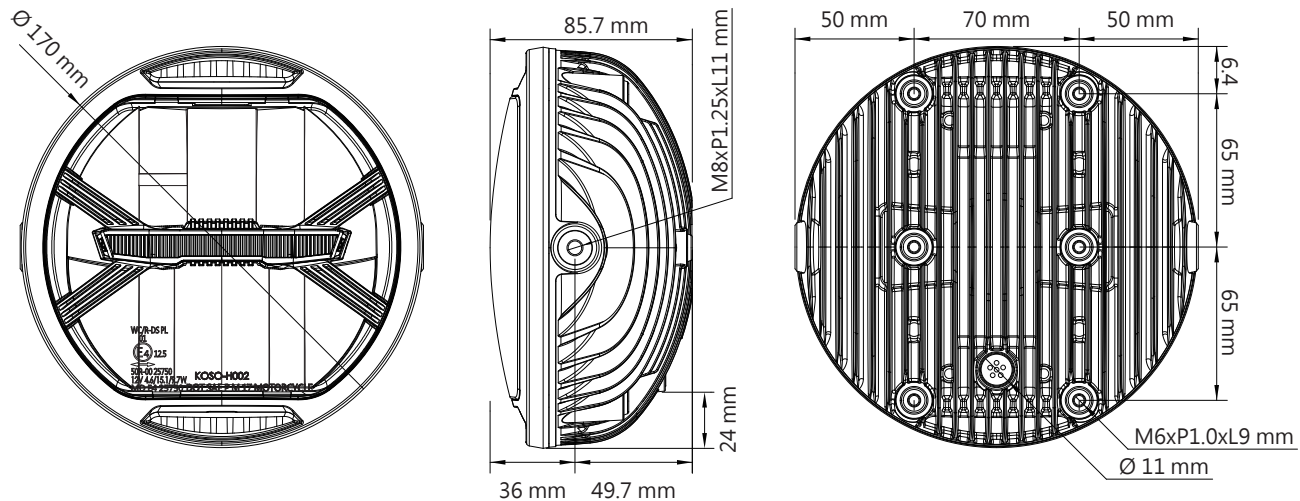
## 1 ACCESSORIES

### 1 Thunderbolt LED Headlight X1



**NOTE** Contact your local distributor, if the items received in the box are not the same as the items listed above.

## 2 SPECIFICATIONS

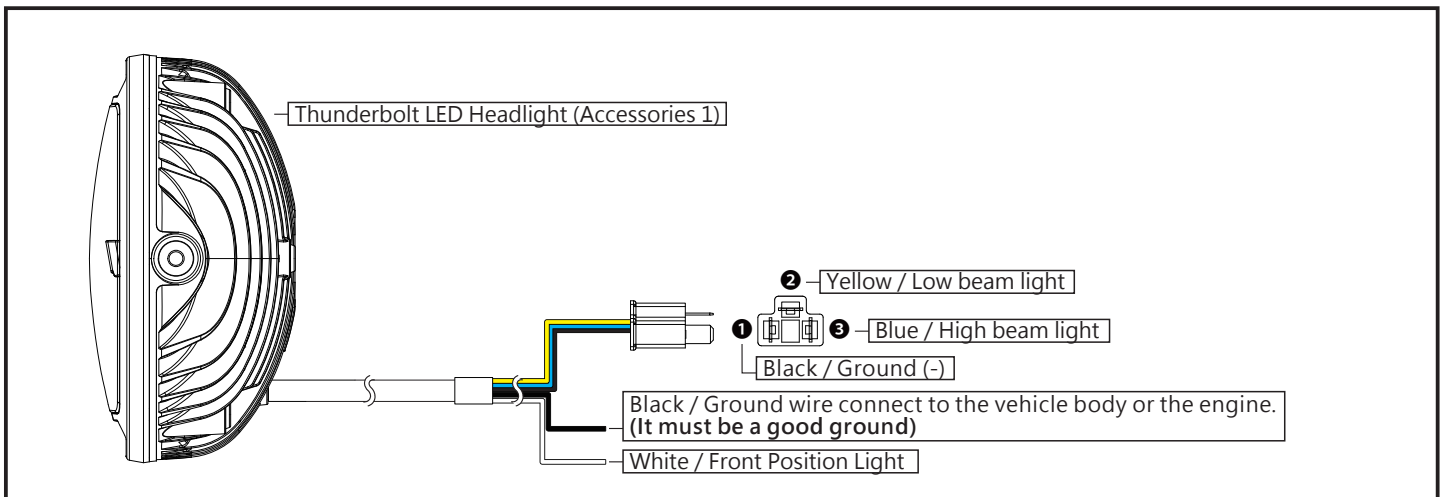


- Effective temperature range -10 ~ 60 °C
- Standard JIS D 0203
- Effective voltage DC 10 ~ 16 V

- Homologation E-Mark / DOT Approved
- Size  $\varnothing 170$  X H 85.7 mm
- Weight About 920 g

**NOTE** Design and specifications are subject to change without notice!

## 3 WIRING INSTALLATION INSTRUCTIONS



## 4 TROUBLE SHOOTING

The following situation do not indicate malfunction of the meter. Please check the following before taking it in for repair.

Trouble	Check item
No LED indicator lighting up.	● Power supply cable may be disconnected. → Check if power supply cable is broken or disconnected. → Check if positive and negative poles are properly connected.

※ If still can't solve the problems according to the step above, please contact with distributors or us.