



Thank you for purchasing our product. Before installing/operating the product, read the instructions carefully and retain them for future reference.

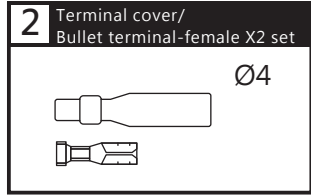
⚠ Attention!

- For installation, follow the steps described. Any damage caused by wrong installation shall be imputed to the users.
- To avoid a short circuit from occurring do not pull or modify the wires during installation.
- Do not disassemble or change any parts. Opening and disassembling this unit will void any warranty.
- Maintenance and repairs should be executed by our professionals only.

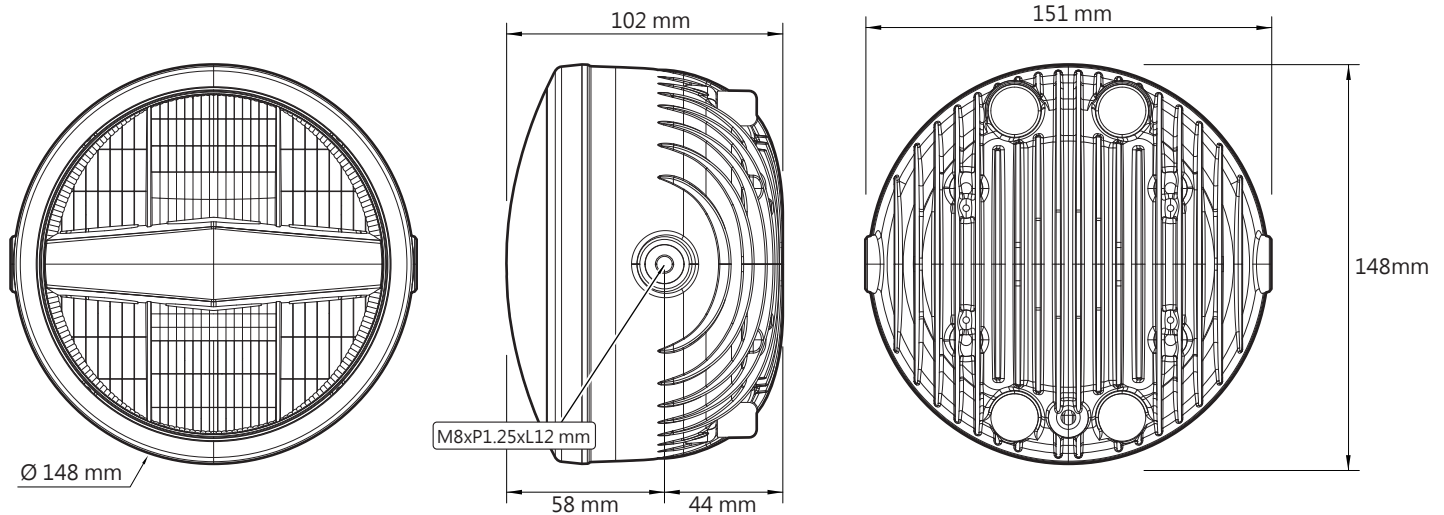
NOTE

- ⚠ Some procedures must be followed to avoid damages to the product.
- ⚠ **WARNING!** Certain procedure must be followed to avoid damages to yourself, to the vehicle or to others.

1 ACCESSORIES



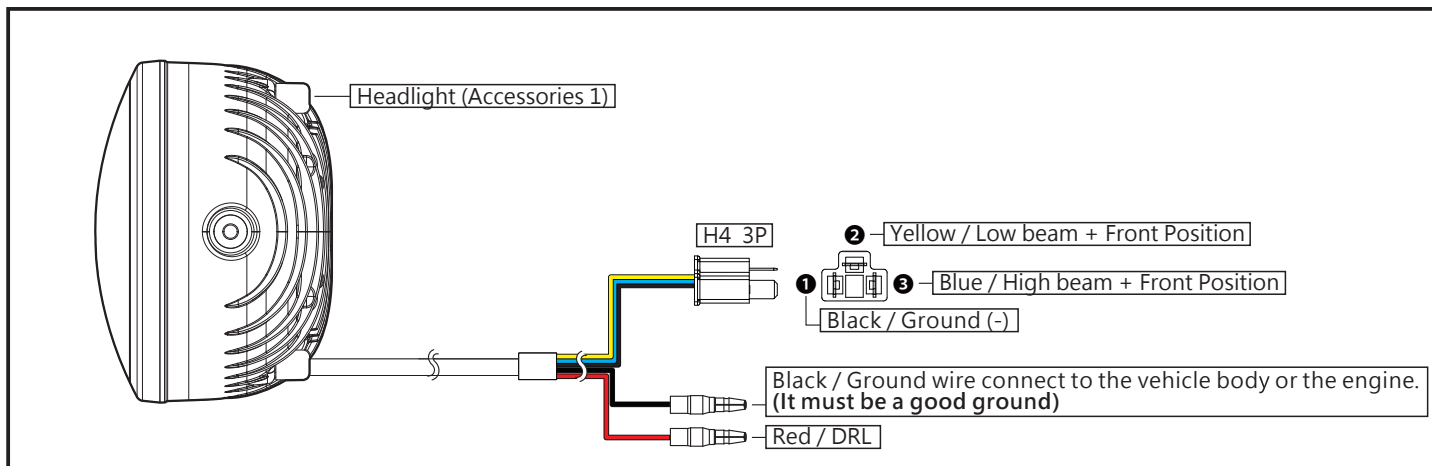
2 SPECIFICATIONS



● Effective temperature range	-10 ~ 60 °C	● Effective voltage	DC 10 ~ 16 V
● Standard	JIS D 0203	○ DRL	DC 12V/14.1W
● Homologation	E-Mark / DOT Approved	○ Low beam + Front Position	DC 12V/19.9W
● Size	$\varnothing 151$ X H 102 mm	○ High beam+ Front Position	DC 12V/35.6W
● Weight	± 840 g		

NOTE Design and specifications are subject to change without notice.

3 WIRING INSTALLATION INSTRUCTIONS



4 TROUBLESHOOTING

The following situation does not indicate malfunction of the product. Check the following before taking it in for repair.

Trouble	Check item
No LED indicator lighting up.	<ul style="list-style-type: none">● Power supply cable may be disconnected.<ul style="list-style-type: none">→ Check if power supply cable is broken or disconnected.→ Check if positive and negative poles are properly connected.

※ If the problems still cannot be solved, contact our technical department for assistance.