



● Thank you for purchasing The Product. Before installation, please read the instruction carefully. We recommend that you store the instruction sheet in a safe place for future reference.

**⚠ NOTICE**

- To install, follow the steps as described in the manual. Any damages caused by not following directions voids warranty.
- Correct tools must be used for installation.
- Do not modify any parts unless specifically stated in the instruction manual.
- Interior controller maintenance should be performed by a professional only.

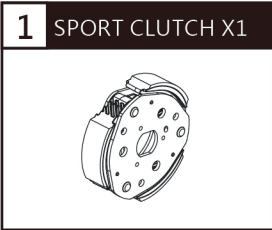
◎ EXPLANATION OF SYMBOLS

**NOTE** Read this information carefully regarding the essential features.

⚠ Some processes must follow to avoid the affection caused by wrong installation.

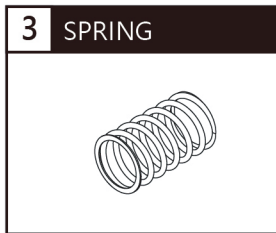
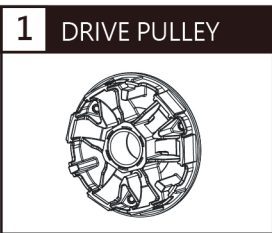
**⚠ CAUTION!** Some processes must follows to avoid the damage to yourself or public.

**1-1 ACCESSORIES**



**NOTE** Please contact your local distributor if the items received are not the same as the one listed above.

**1-2 OPTIONAL ACCESSORIES**



**NOTE** Some of these items may not sell in particular area, for more information, please contact with our local dealer.

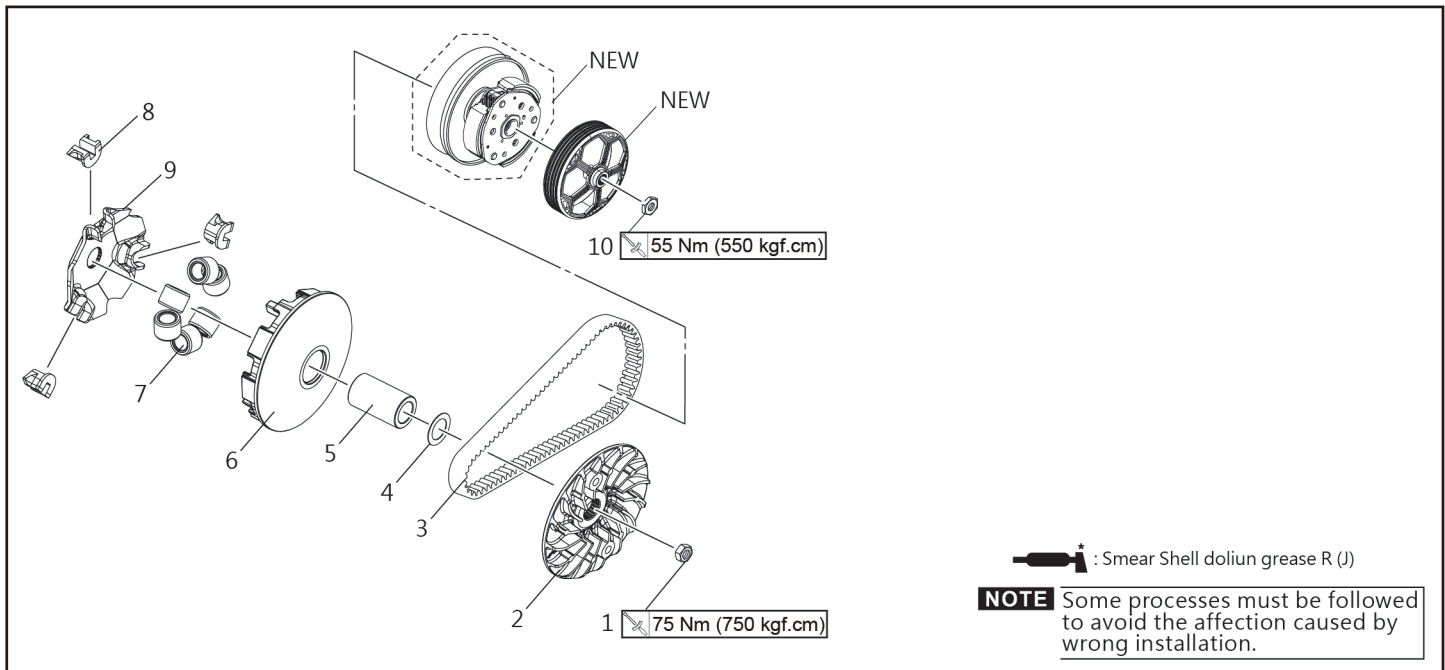
**2-1 SPECIFICATIONS (SPORT CLUTCH)**

- Size D123.4 X H 30 mm
- Clutch weight 246g
- Clutch spring free length 31.5mm

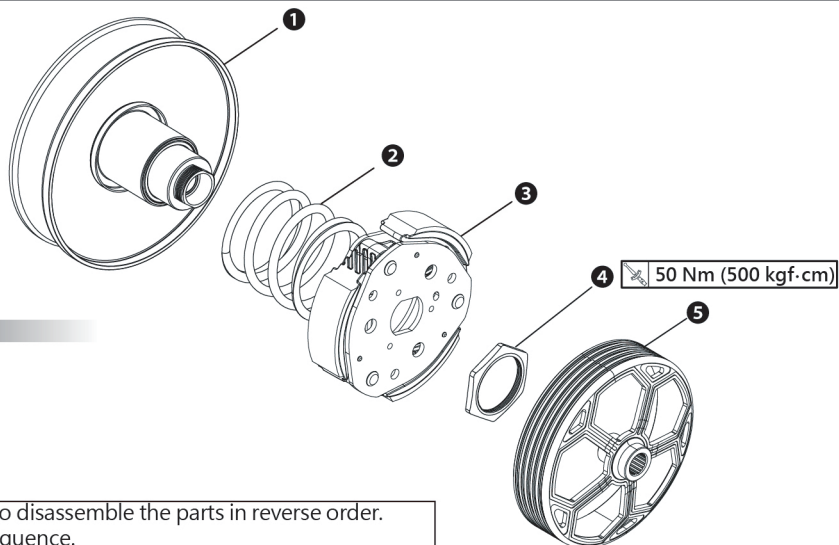
**2-2 SPECIFICATIONS (CLUTCH BELL)**

- Material Carbon steel (The central axis)
- Weight 575.5g
- Speciality Heavy-load and light-load design has better rotrtional accuracy and dynamic balance

**3 INSTALLATION INSTRUCTION**



## 4 TORQUE CAM INSTALLATION INSTRUCTION

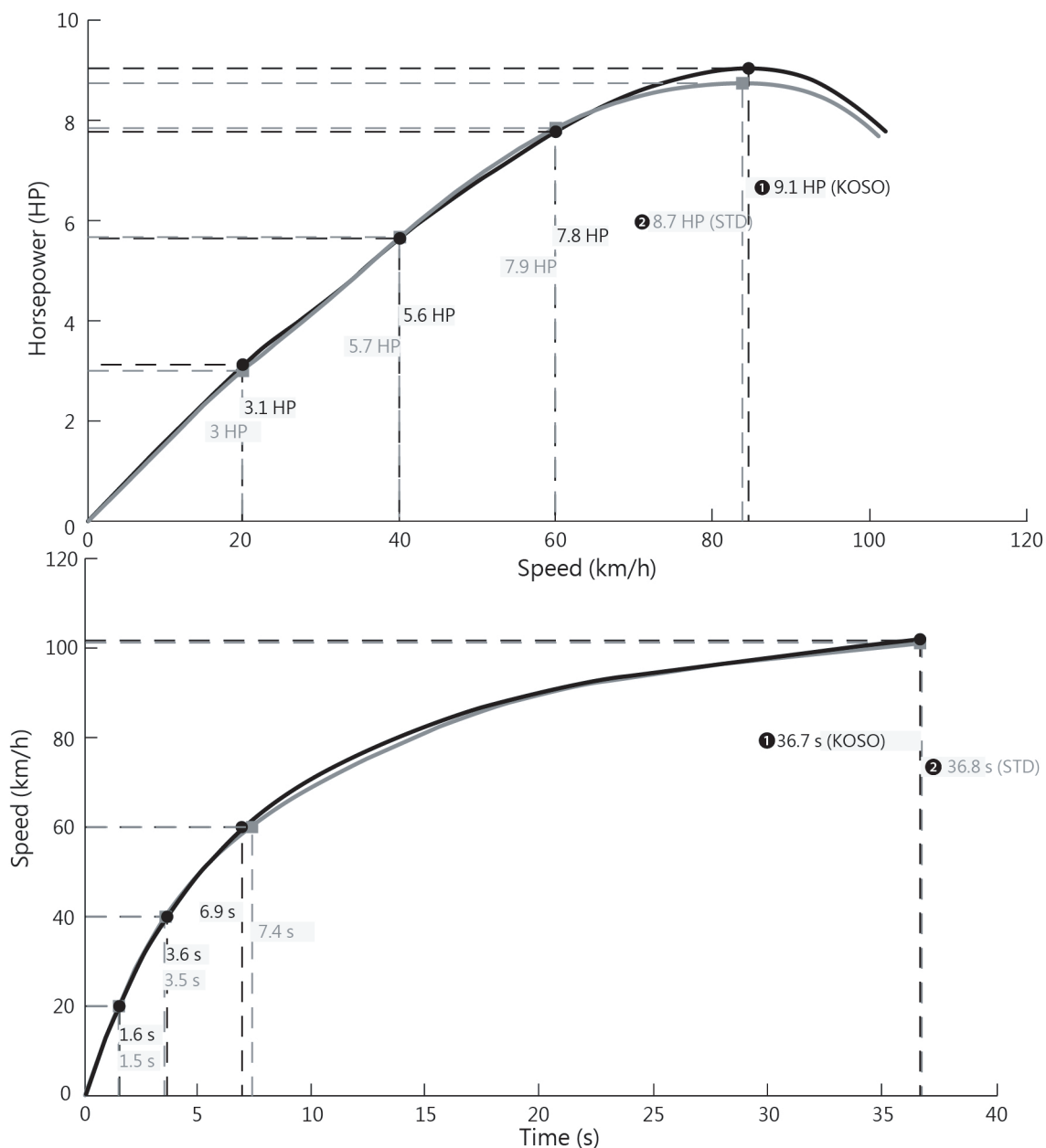


Please proceed as follows

- ① Three Axle
- ② Clutch Spring
- ③ weight Clutch (Accessories 1)
- ④ Clutch carrier assembly nut
- ⑤ Clutch Bell(Accessories 2)

**NOTE** Please do according to figure in order. Make sure to disassemble the parts in reverse order. Please refer to the above picture for installation sequence.

## 5 POWER CURVE COMPARE CHART



**NOTE** ① KOSO Drive Pulley+Drive Face+Roller (12.5gx3+13gx3=76.5g)+Spring 1000 RPM+KOSO VESPA SPORT Clutch+KOSO VESPA Clutch outer.

**NOTE** ② KOSO Drive Pulley+Drive Face+Roller (12.5gx3+13gx3=76.5g)+Spring 1000 RPM+STD VESPA Clutch+STD VESPA Clutch outer.

**NOTE** Test results vary with testing environment and weather. This test chart is for reference only.