



● Thank you for purchasing The Product. Before installation, please read the instruction carefully. We recommend that you store the instruction sheet in a safe place for future reference.

⚠ NOTICE

- To install, follow the steps as described in the manual. Any damages caused by not following directions voids warranty.
- Correct tools must be used for installation.
- Do not modify any parts unless specifically stated in the instruction manual.
- Interior controller maintenance should be performed by a professional only.

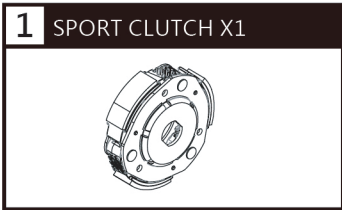
◎ EXPLANATION OF SYMBOLS

NOTE Read this information carefully regarding the essential features.

⚠ Some processes must follow to avoid the affection caused by wrong installation.

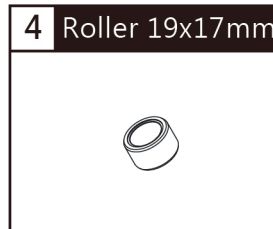
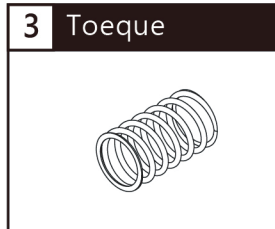
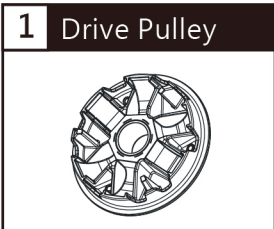
⚠ CAUTION! Some processes must follows to avoid the damage to yourself or public.

1 ACCESSORIES



NOTE Please contact your local distributor if the items received are not the same as the one listed above.

1-2 OPTIONAL ACCESSORIES



NOTE Please contact the local distributor if the items you open are not the same, as the above-listed one.

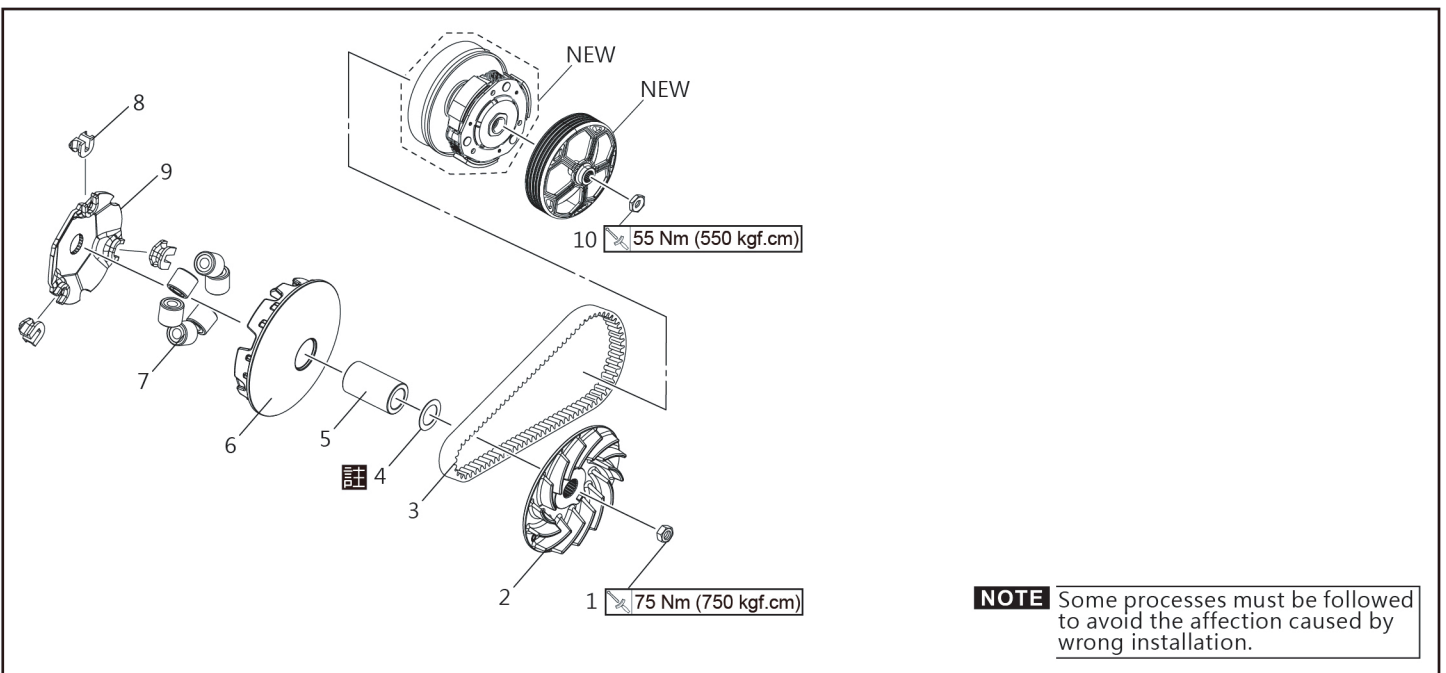
2-1 SPECIFICATIONS (SPORT CLUTCH)

- Size D132.6 X H 38.5 mm
- Clutch weight 238g
- Clutch spring free length 31.2mm

2-2 SPECIFICATIONS (CLUTCH BELL)

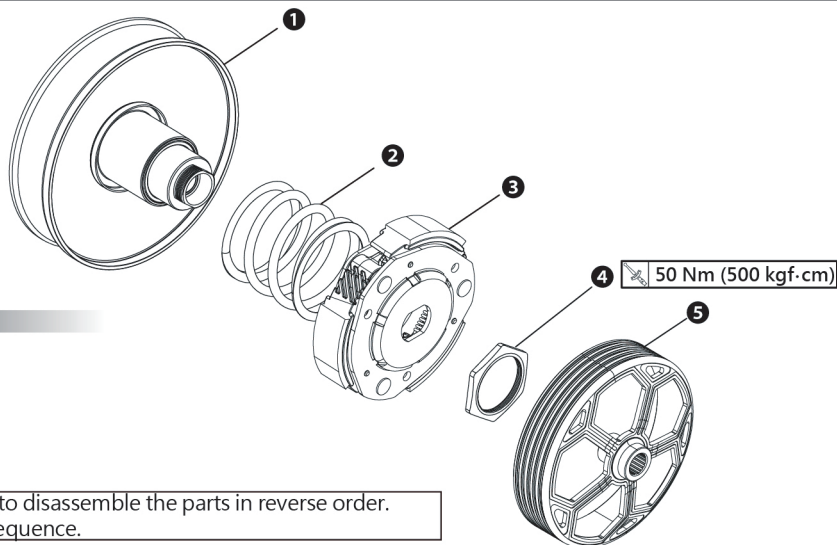
- Material Carbon steel
- Weight 685g
- Speciality Heavy-load and light-load design has better rotrrtional accuracy and dynamic balance

3 INSTALLATION INSTRUCTION



NOTE Some processes must be followed to avoid the affection caused by wrong installation.

4 TORQUE CAM INSTALLATION INSTRUCTION

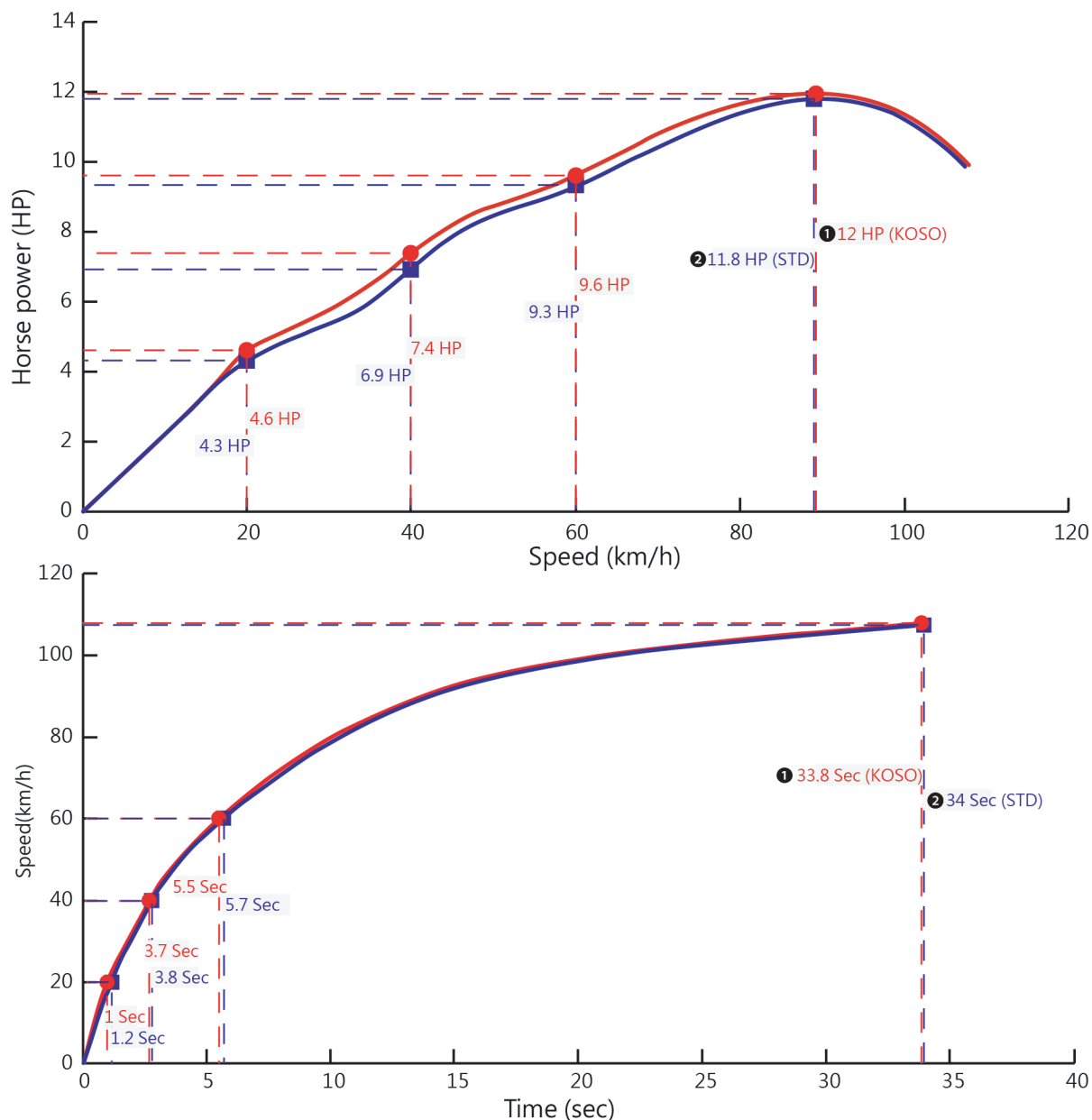


Please proceed as follows

- ① Three Axle
- ② Clutch Spring
- ③ weight Clutch (Accessories 1)
- ④ Clutch carrier assembly nut
- ⑤ Clutch Bell(Accessories 2)

NOTE Please do according to figure in order. Make sure to disassemble the parts in reverse order. Please refer to the above picture for installation sequence.

5 ACCELERATION SPEED TEST DIAGRAM



NOTE ① KOSO Drive Pulley +KOSO Drive Face+Spring 1000 RPM+Roller (19x17mm 13g x6=78g)+KOSO VESPA SPORT CLUTCH+KOSO VESPA CLUTCH OUTER.

NOTE ② KOSO Drive Pulley +KOSO Drive Face+Spring 1000 RPM+Roller (19x17mm 13g x6=78g)+STD VESPA SPORT CLUTCH+STD VESPA CLUTCH OUTER.

NOTE Test results vary with testing environment and weather. This test chart is for reference only.