



Thank you for purchasing our product. Before installing/operating the product, read the instructions carefully and retain them for future reference.

**⚠ Attention!**

- For installation, follow the steps described. Any damage caused by wrong installation shall be imputed to the users.

**NOTE**

⚠ Some procedures must be followed to avoid damages to the product.

⚠ **WARNING!** Certain procedure must be followed to avoid damages to yourself, to the vehicle or to others.

**1 Accessory**

**1** Individual upper and lower filter cover X1

**2** High-density foam X1

**NOTE 1**

**3** Low-density foam X1

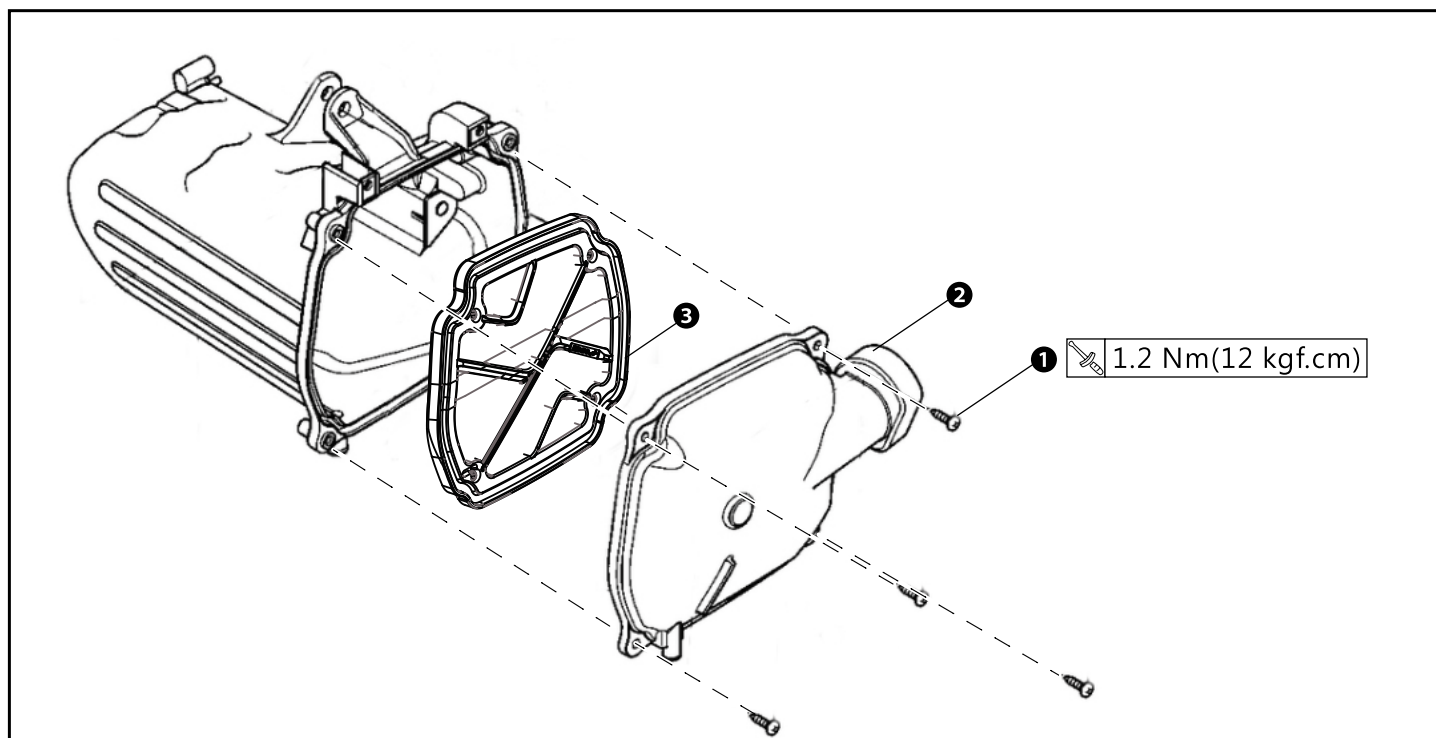
**NOTE 1**

**4** Screw X4

**NOTE 1**

**NOTE 1:** 1. High-density foam already installed on the filter cover when purchased.

**2 Installation instruction**



**Proceed as follows**

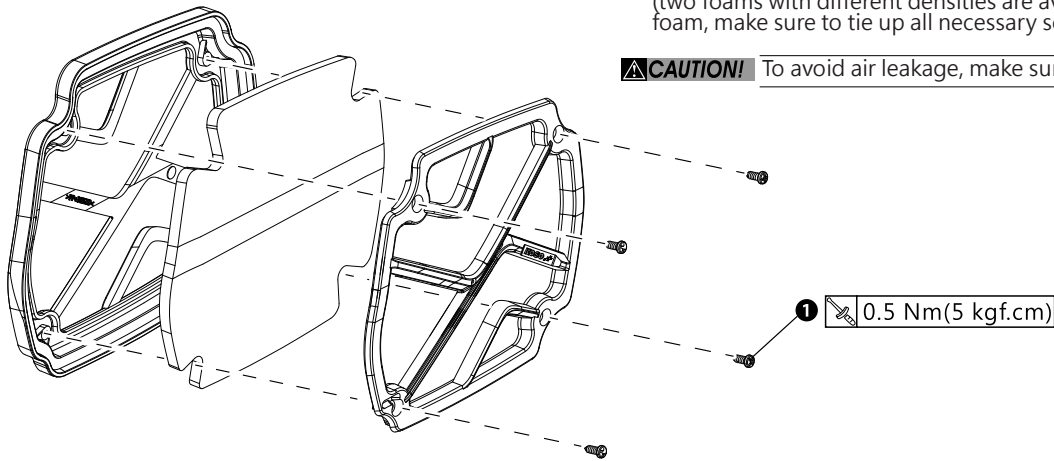
1. Use appropriate tools to loosen **1** screws x4, **2** air filter cover and air filter.
2. Place the **3**KOSO air filter (accessory 1) in the correct position, and use appropriate tools to lock the **2** air filter cover and **1**screws x3 to the airbox.

**⚠ CAUTION!** If the bike falls down or have a fuel leakage, clean up the fuel absorbed by the air filter (warning: Fuel leakage may cause fire during engine start).

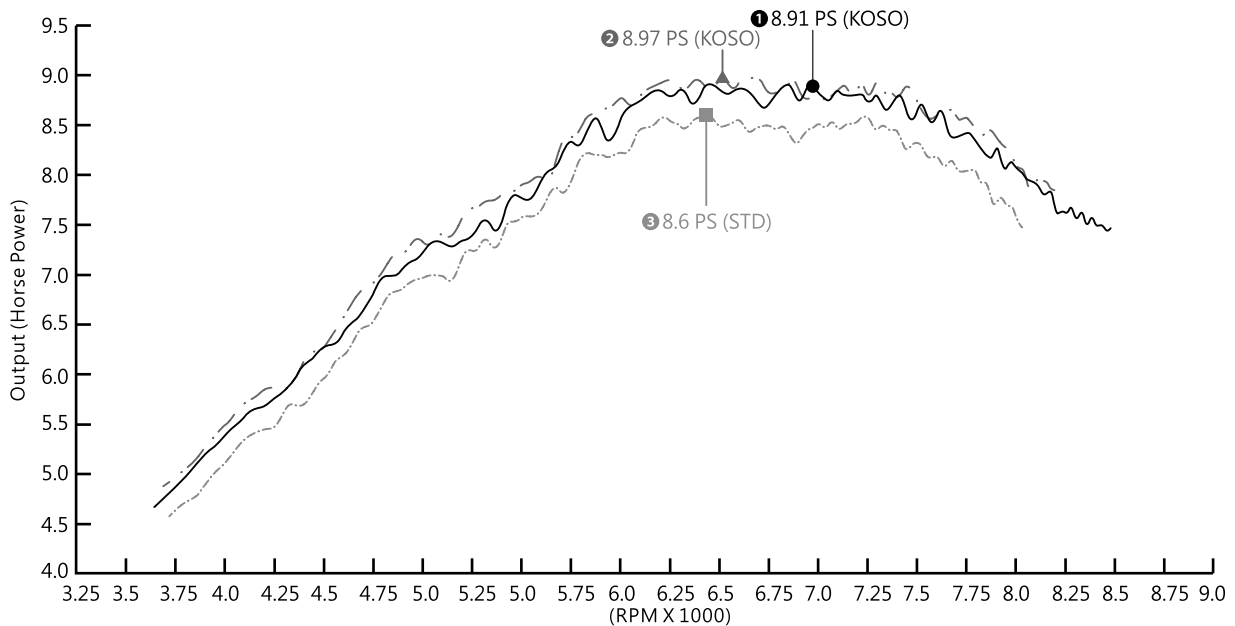
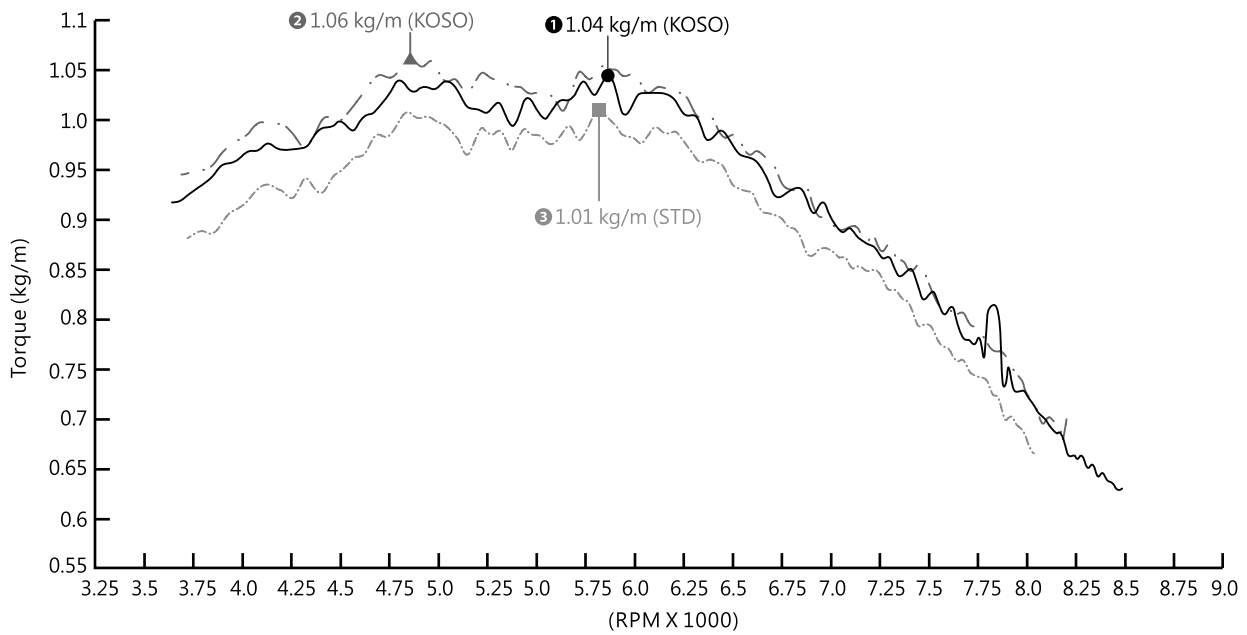
### 3 Replace filter cartridge

● To replace filter cartridge, remove ❶ screws and ❷ replace the foam (two foams with different densities are available). After replacing the foam, make sure to tie up all necessary screws.

⚠ **CAUTION!** To avoid air leakage, make sure to install the foam properly.



### 4 Curve Test Diagram



**NOTE** ❶ KOSO Hurricane multi air filter (High-density foam x1).

**NOTE** ❷ KOSO Hurricane multi air filter (Low-density foam x1).

**NOTE** ❸ Stock air filter