



Thank you for purchasing our product. Please, read the instructions thoroughly and retain them for future reference.

⚠ Notice

- For installation, please follow the steps described in manual. Any damage caused by wrong installation shall be imputed to the users.
- Don't break or modify the wire terminal. To avoid the short circuit, please don't pull the wire when installing.
- Do not disassemble or change any parts excluding the manual description.
- The interior examination or maintenance should be executed by our professionals.

⦿ MARK MEANING:

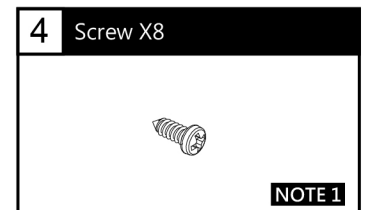
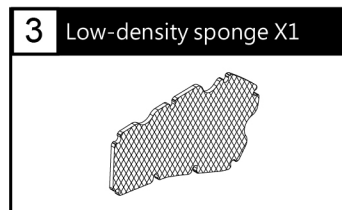
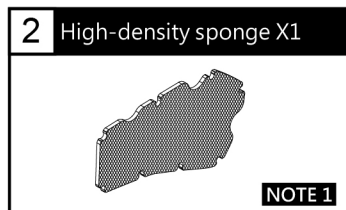
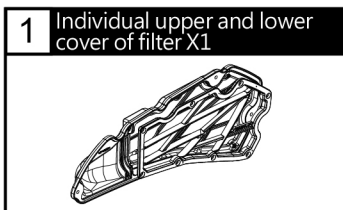
NOTE You could get the installation details from the information behind the mark.

⚠ Some processes must be followed to avoid the affection caused by wrong installation.

⚠ WARNING! Some processes must be followed to avoid damages to yourself or the public.

⚠ CAUTION! Some processes must be followed to avoid the damage to the vehicle.

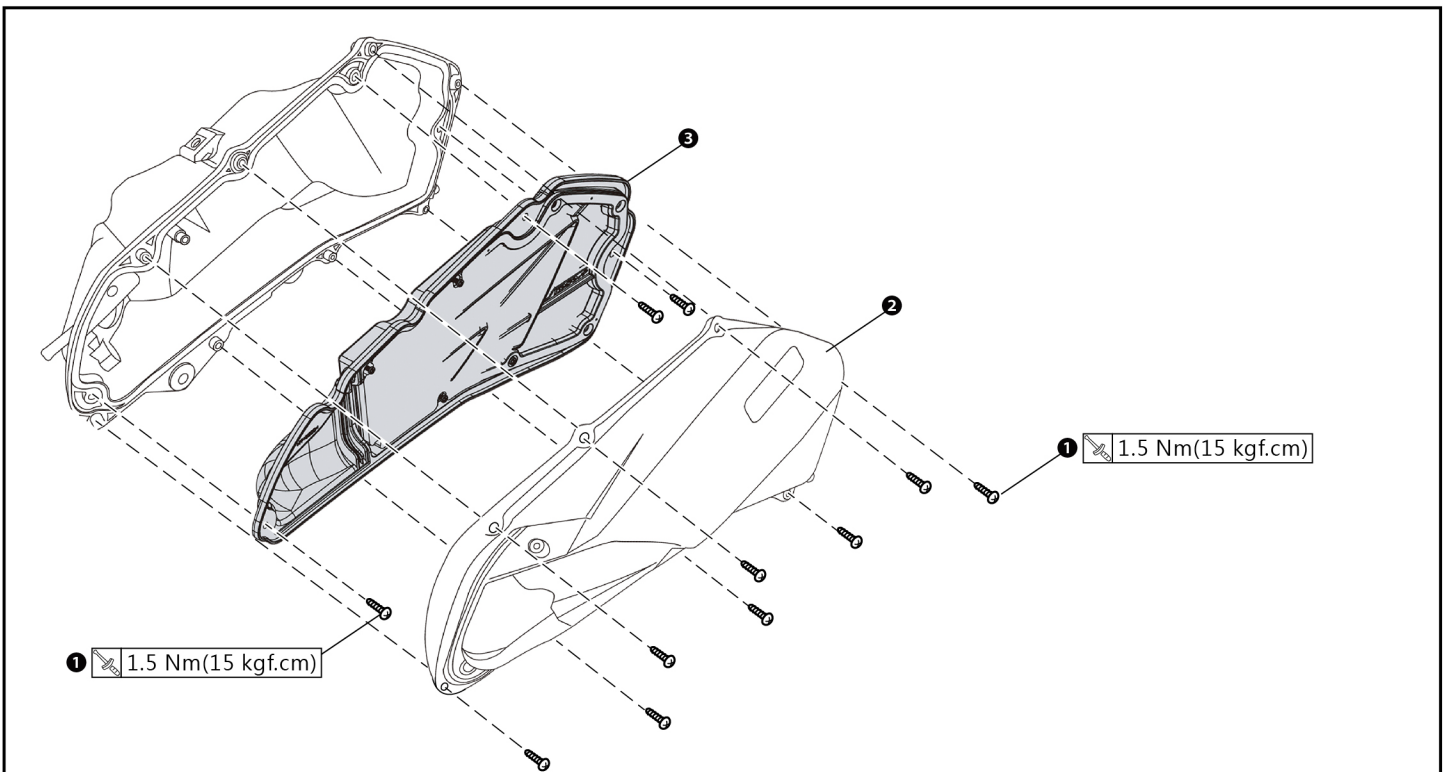
1 Accessory



NOTE 1 1.The component was already installed on the body when purchased.

NOTE 1 2.Please contact the local distributor if the items you open are not the same, with the above-listed one.

2 Installation instruction



Please proceed as follows

1. Please use appropriate tools to remove ① screws x11, ② air cleaner cover, and air filter.
2. Place the ③ KOSO air filter (accessory 1) in the correct position, and use appropriate tools to lock the ① screws x3 to the ③ KOSO air filter (accessory 1).
3. Please align the ② air filter cover with the lock point on the car, and use the appropriate tool to lock the ① screw x8 to on the locomotive.

⚠ CAUTION! If bike falls down or have found mass fuel leaking, make sure you clean up the fuel sucked by sponge (Warning: leaking fuel may caused fire during engine start).

NOTE Some of these items may not sell in particular area, for more information, please contact with our local dealer.

3 Replace filter cartridge

- To replace filter cartridge, remove ❶ screws(M4x10 Screw) and ❷ replace sponge (two sponges with different densities are available).after replace sponge, make sure you tie up all necessary screws.

⚠CAUTION! To avoid air leaking or unseal appropriately, make sure install sponge in correct place.

