



- Thank you for purchasing our product. Before installing/operating the product, please read the instructions carefully and retain them for future reference.

**⚠ Attention!**

- For installation, please follow the steps described. Any damage caused by wrong installation shall be imputed to the users.
- To avoid a short circuit from occurring do not pull or modify the wires during installation.
- Do not disassemble or change any parts. Opening and disassembling this unit will void any warranty.
- Maintenance and repairs should be executed by our professionals only.

⊗ Symbol description:

**NOTE**

⚠ Some procedures must be followed to avoid damages to the instrument.

⚠ **WARNING!** Certain procedure must be followed to avoid damages to yourself, to the vehicle or others.

**1-1 ACCESSORIES**

<b>1</b> Thumb heater X1	<b>2</b> 3M double-sided adhesive X1	<b>3</b> Foam X1	<b>4</b> Abrasive paper X1	<b>5</b> Heat shrink tube X1

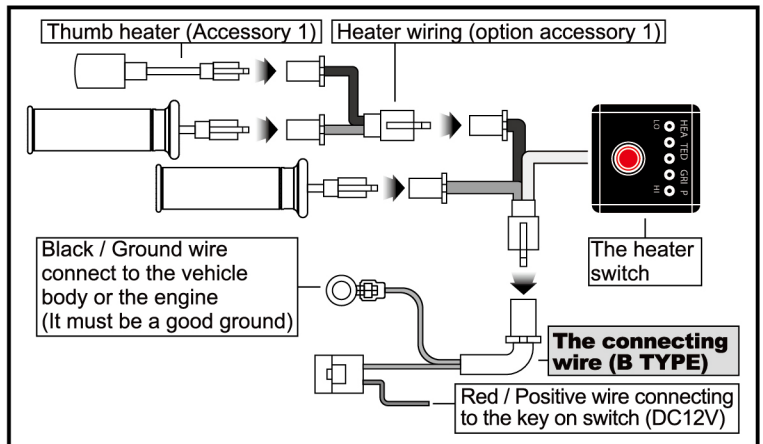
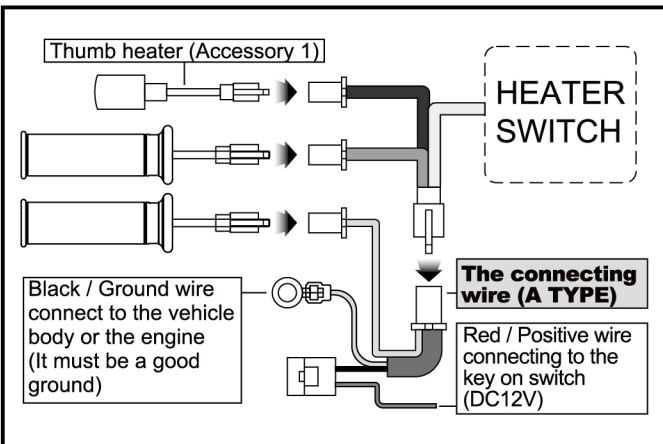
**NOTE** Contact your local distributor, if the items received in the box are not the same as the items listed above.

**1-2 OPTION ACCESSORY**

**1** Heater wiring X1

**NOTE** Some optional accessories may not be sold in your area. For more details, please contact your local distributor.

**2 WIRING INSTALLATION INSTRUCTIONS**



**3 INSTALLATIONS INSTRUCTION FOR HEATED GRIPS & THUMB HEATER**

**Please follow the steps below for proper installation**

**Step 1**

- Remove old grips by injecting lubricant between grips and handlebar.

**Step 2**

- Install the heated grips wiring harness.

**NOTE** Please see 2-1 for wiring instruction.

**⚠ CAUTION!** Make sure the wires are installed properly to prevent them from disconnecting.

**Step 3**

- Apply the foam on the back of the heated thumb (Accessory 1).

**Step 4**

- Before installing the heated thumb on the throttle lever, use the abrasive paper (Accessory 4) to clean the throttle lever surface.

**Step 5**

- Install the 3M double face tape (Accessory 2) on the foam and apply the heated thumb on the throttle lever.

**Step 6**

- Install the shrank tube (Accessory 5) with a heated gun over the heated thumb and throttle lever.

