



- Thank you for purchasing the Heated grips - for electronic throttle.  
Before installing, please read the instructions carefully and keep them for future reference.

## ⚠ Attention!

- The Heated grips are made to work with DC 12 V only.
- For installation, follow the steps described in the instructions. Any damage caused by wrong installation shall be imputed to the user.
- Do not break or modify the wires. To avoid a short circuit, don't pull on any wires when installing.
- The interior examination or maintenance should be executed by our professionals only.

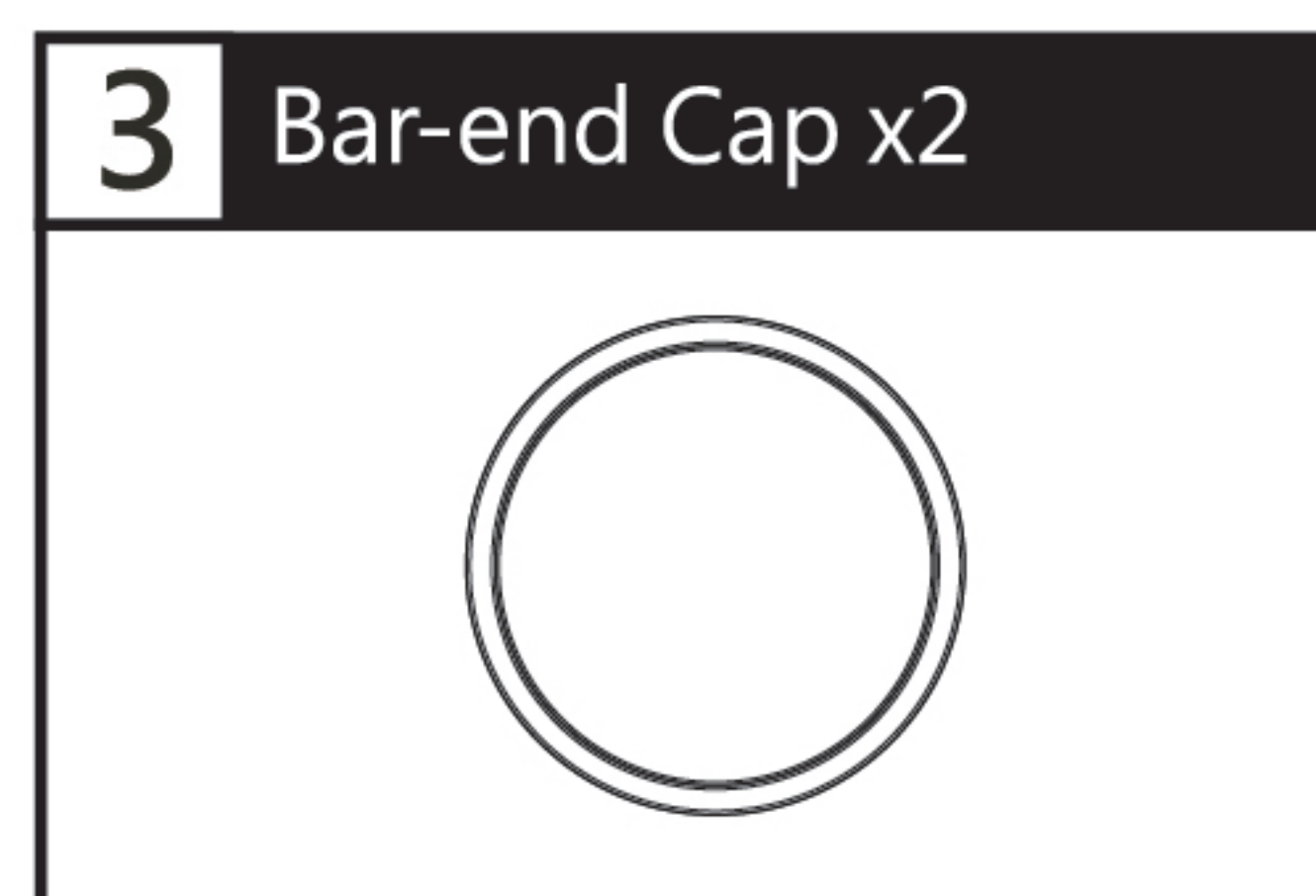
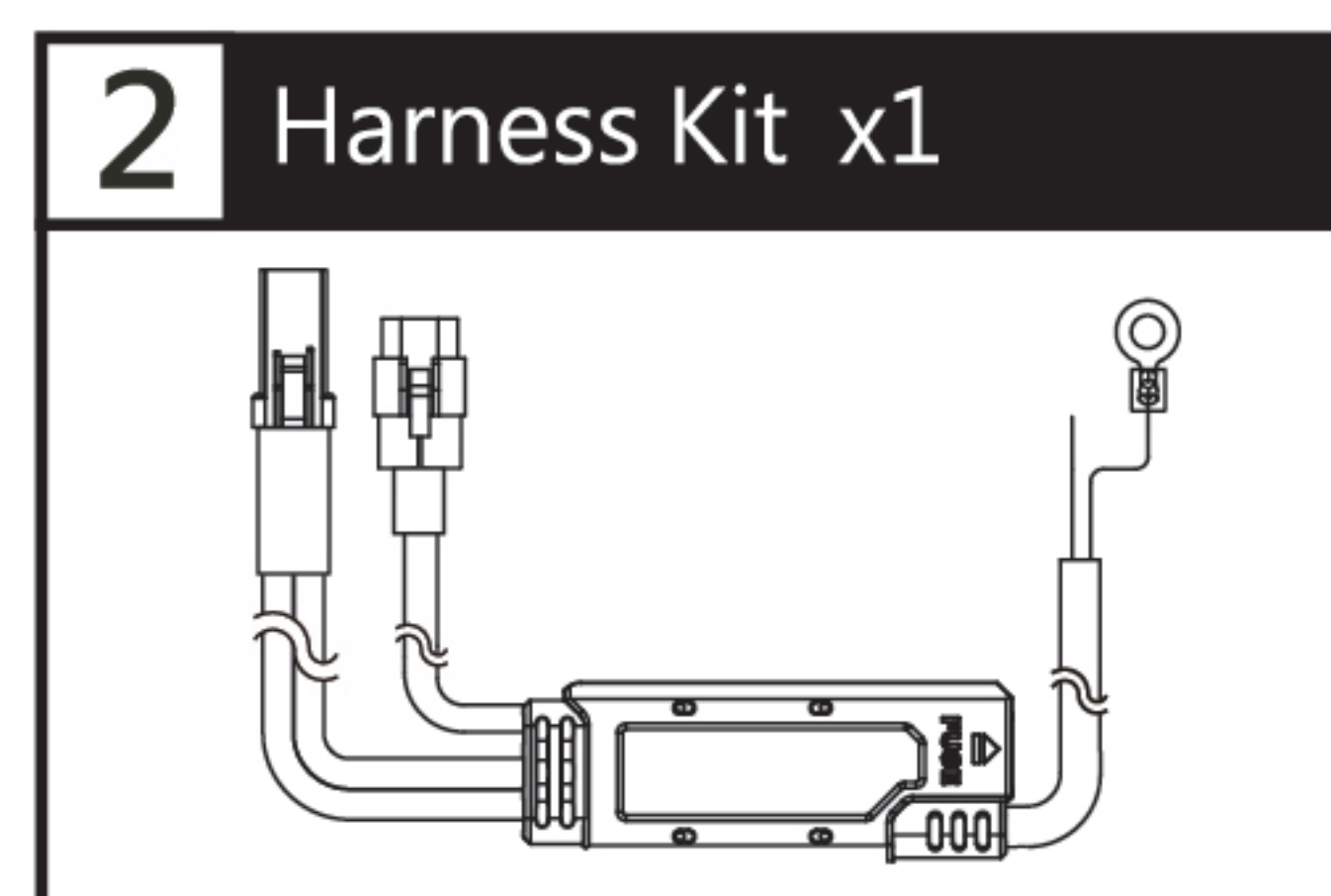
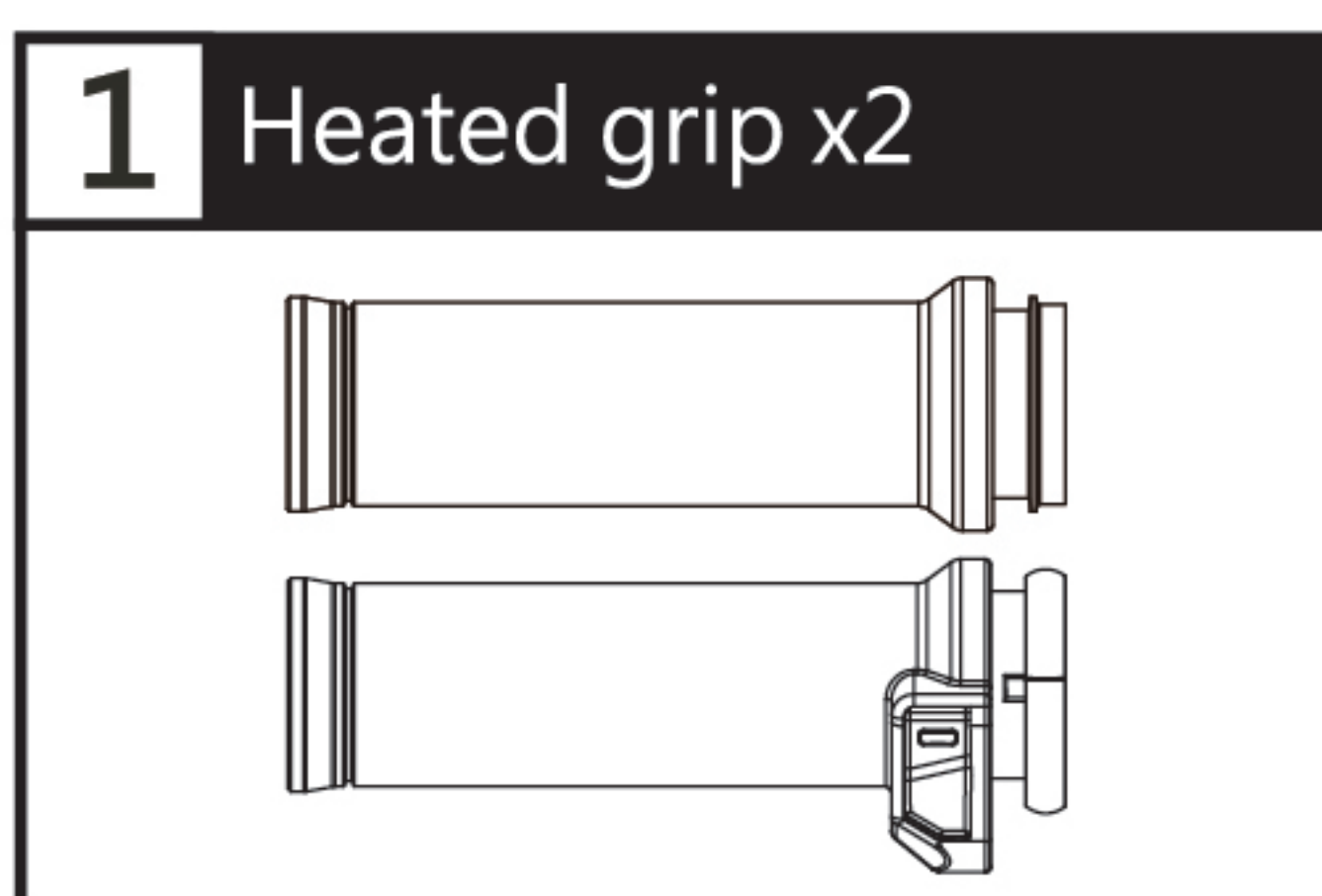
⚠ Some procedures must be followed to avoid damages caused by wrong installation.

⚠ **WARNING!** Some procedures must be followed to avoid damages to yourself or the public.

⚠ **CAUTION!** Some procedures must be followed to avoid damages to the vehicle.

📖 **READ CAREFULLY!** If any information dealt with in the instructions remains unclear, seek professional assistance.

## 1 Accessories

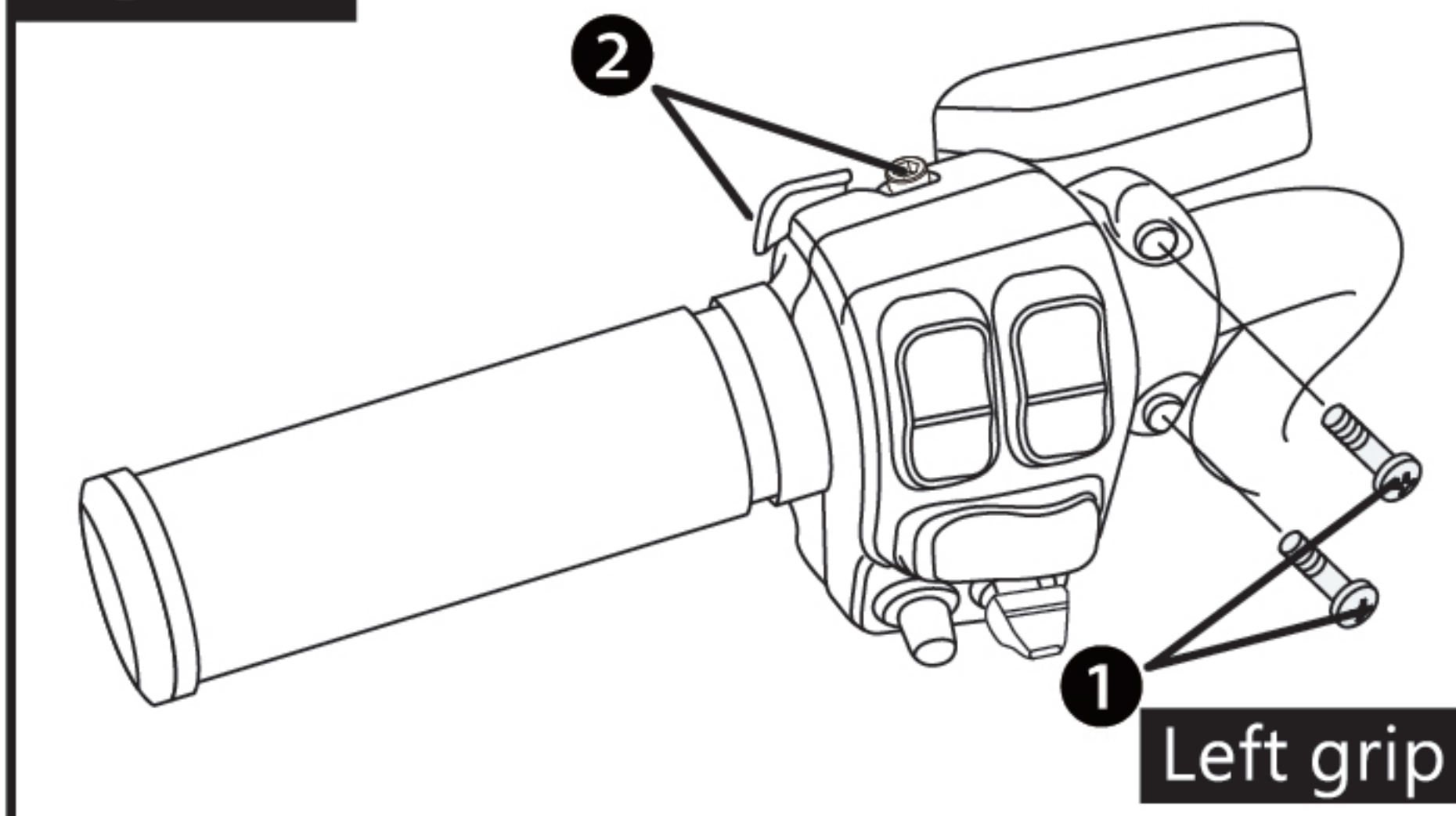


**NOTE** Contact your local distributor, if the items received in the box are not the same as the items listed above.

## 2-1 Practical installation instructions

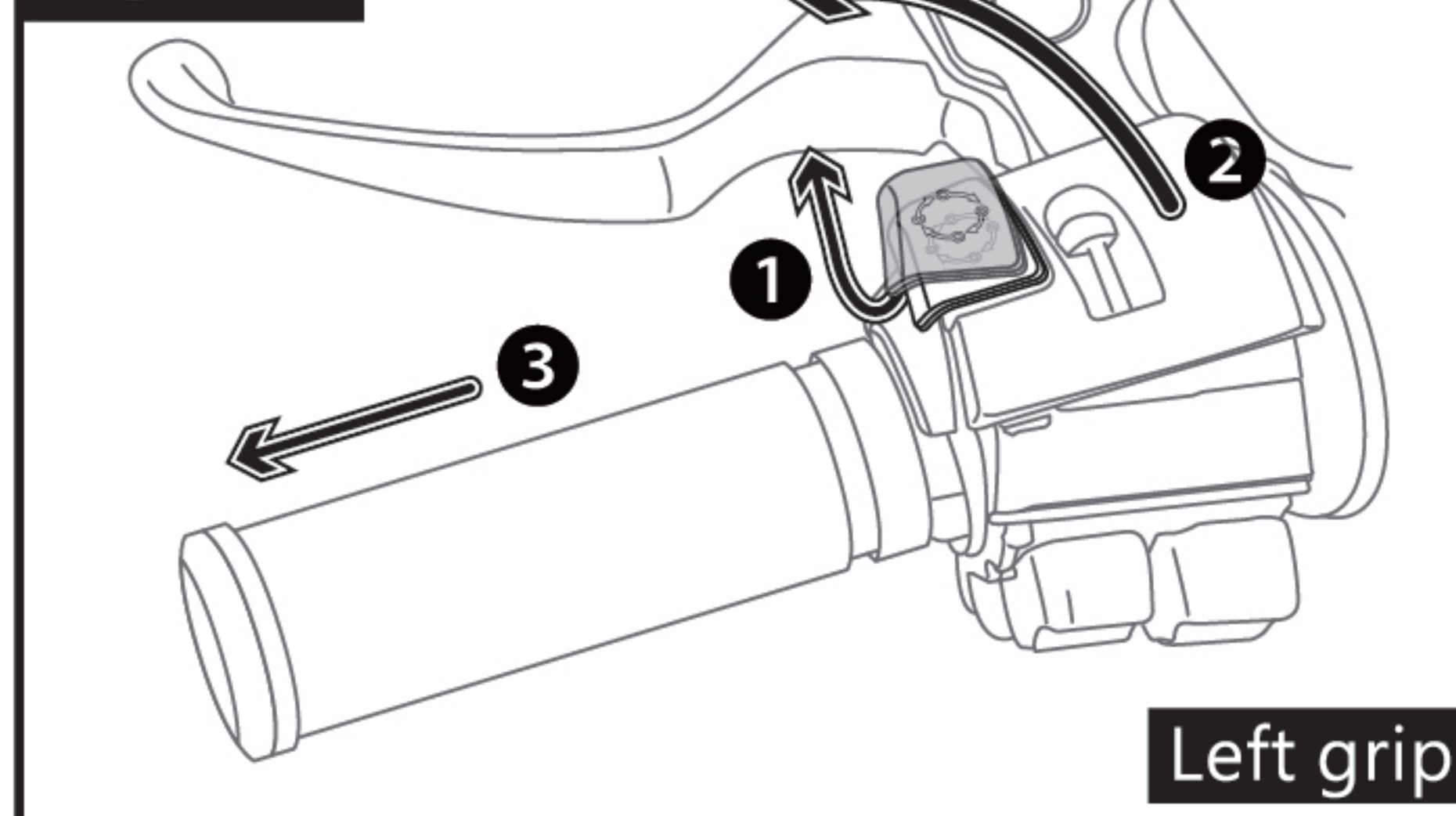
### Heated grips installation procedure

Figure 1



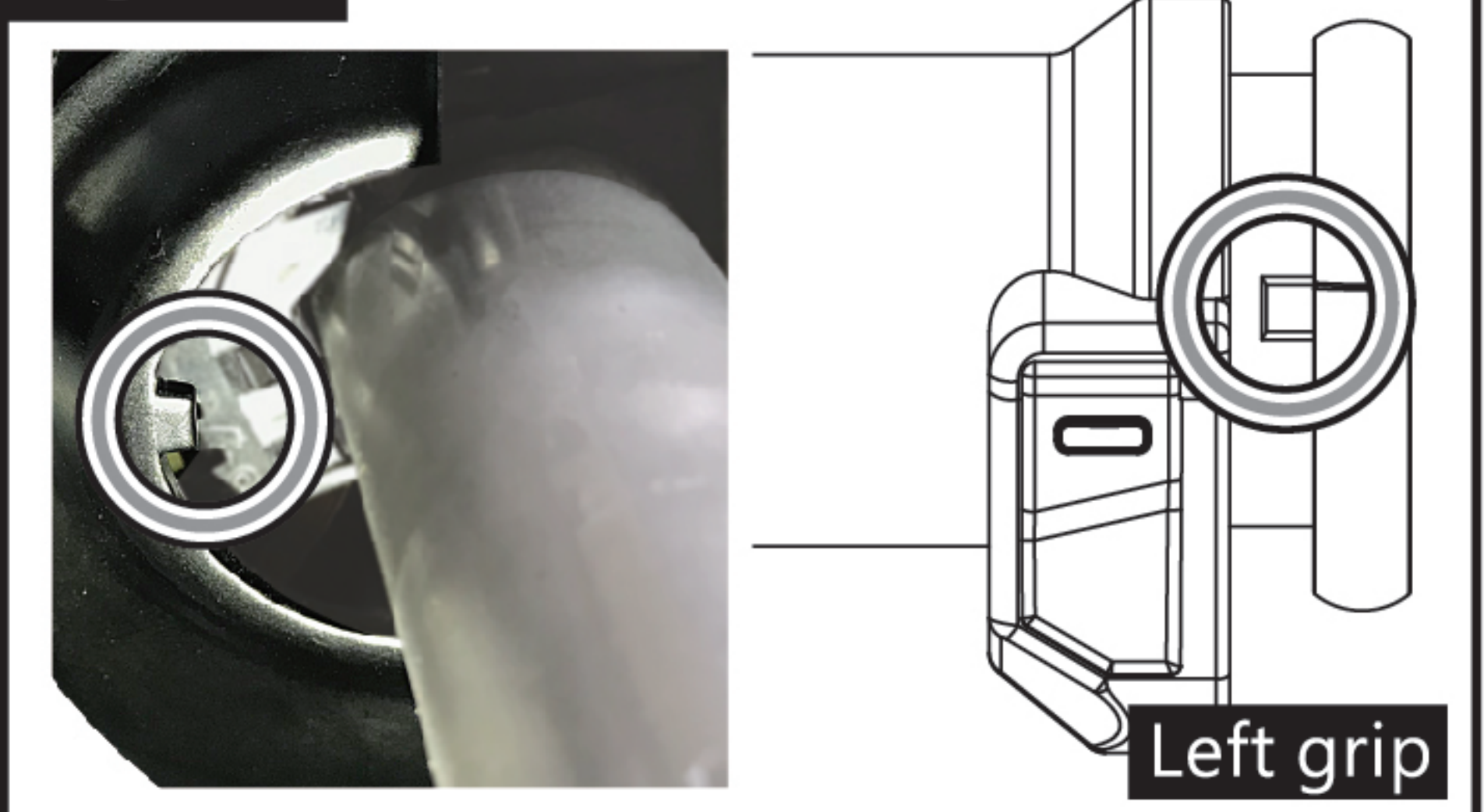
1. Use proper instrument to remove **1** the original screws x2 and loosen **2** the original screws x2.

Figure 2



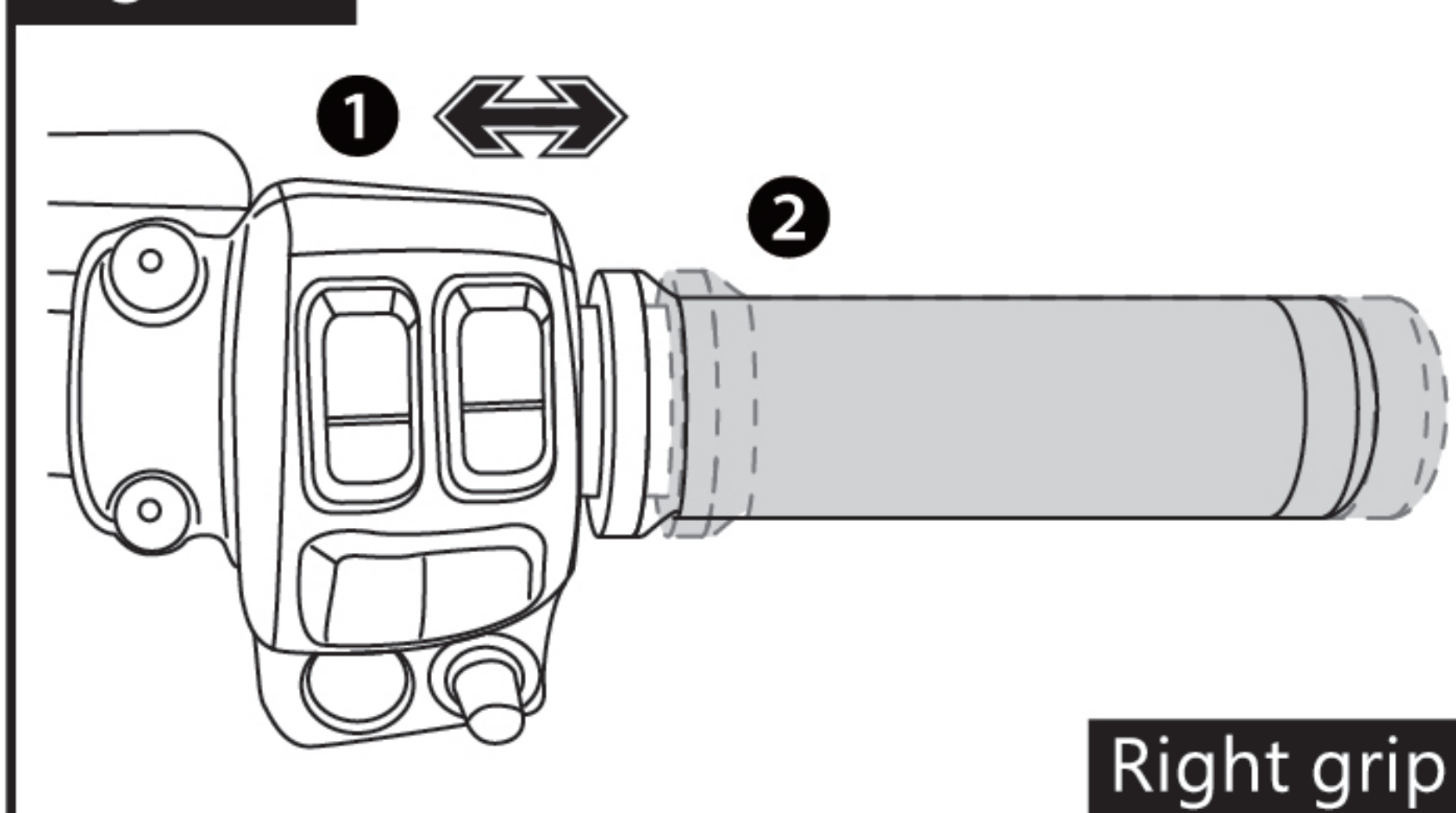
2. Pull **1** the function button, loosen **2** the switch assembly, and remove **3** the original grip.

Figure 3



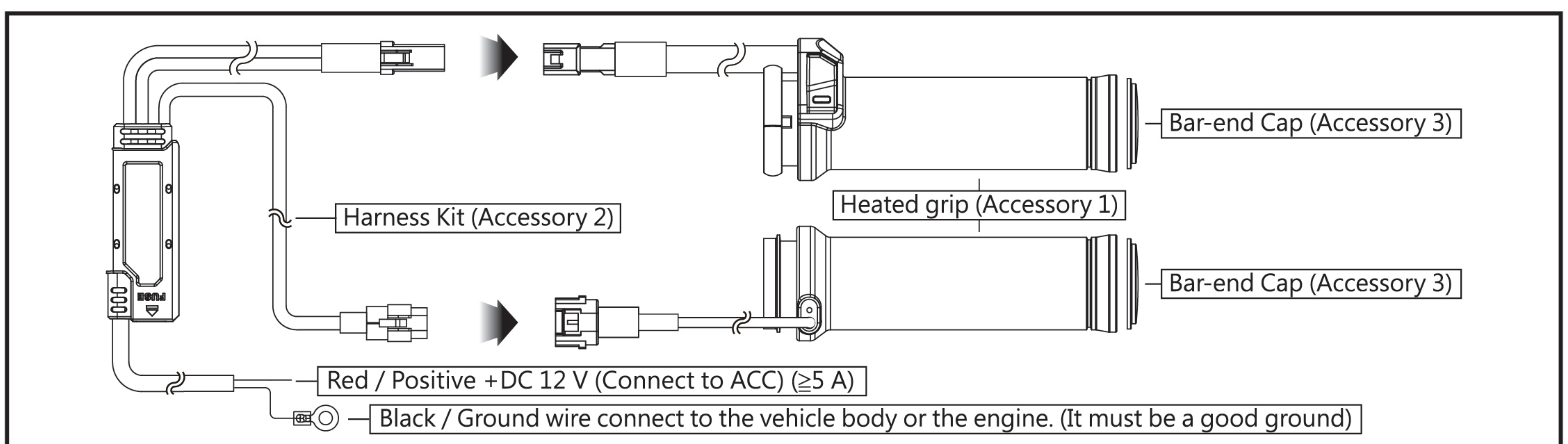
3. Make sure the grip fits the lock during installation.

Figure 4



4. Adjust the location of **1** the power assembly to control the tightness of the **2** grip.

## 2-2 Practical installation instructions



### 3 Heating Function Instruction

● Key-On: White Color Light Up Once  
 ● Short Press: Enter Level 1

**NOTE** When no button pressed then it's in the turn-off mode which means no heating and no light up.

● Level 1:  
 Heating Output - 20%  
 Color of Light - Blue  
 ● Short Press: Enter Level 2

● Level 2:  
 Heating Output - 40%  
 Color of Light - Green  
 ● Short Press: Enter Level 3

● Level 3:  
 Heating Output - 60%  
 Color of Light - Yellow  
 ● Short Press: Enter Level 4

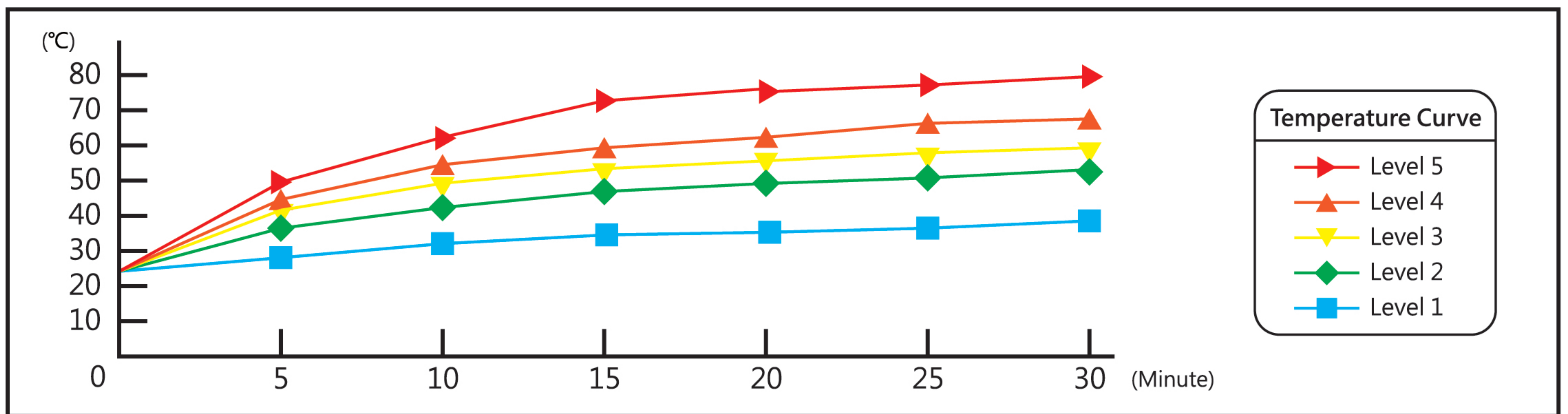
● Level 4:  
 Heating Output - 80%  
 Color of Light - Orange  
 ● Short Press: Enter Level 5

● Level 5:  
 Heating Output - 100%  
 Color of Light - Red  
 ● Short Press: Turn-Off

**NOTE** Press and hold the button for 3 seconds to turn off the heated grips at any level.

**NOTE** The Heated Grips use the memorizing function which means no matter if the grips were shut down at any level for more than 3 seconds and reset, it will restore to the previous level.

### 4 Heated Grip Testing Data



**NOTE** The testing environment is under 25 Degrees Celsius, with working voltage of 13.5V.

### 5 Low Battery Warning Instruction

● Low Battery Warning Activate Condition : When voltage lower than 11.5 V for more than 5 seconds.  
 ● Heating Output : Turn-Off  
 ● Indicator : Purple Light Flashing  
 ● Short Press During Warning : Temporary deactivate the warning.  
 ● Short Press During Turn-Off : Purple light flashing 3 times and turn-off.

**NOTE** Condition to Restore Normal Status : Detected voltage higher than 13 V and more than 5 seconds.

### 6 Caution

● Do not push the rubber section too hard as it might cause the device to break.

● Do not bend the in-line control unit on the harness kit, it might cause the unit to break.

### 7 Troubleshooting

The following situation does not indicate malfunction of the heated grips. Check the following before taking it in for repair.

Trouble-1	Check item
No LED indicator lighting up.	<ul style="list-style-type: none"> <li>● Could be the improper connection between the connectors.                      → Check each connector about the connection.</li> <li>● Could be the fuse that is burnt.                      → Replace the 4A fuse by Terminal Car Fuse.</li> </ul>

※If the problem couldn't be solved after above checking, contact the local dealer or KOSO directly.



- Thank you for purchasing the Heated grips - for cable throttle.  
Before installing, please read the instructions carefully and keep them for future reference.

### ⚠ Attention!

- The Heated grips are made to work with DC 12 V only.
- For installation, follow the steps described in the instructions. Any damage caused by wrong installation shall be imputed to the user.
- Do not break or modify the wires. To avoid a short circuit, don't pull on any wires when installing.
- The interior examination or maintenance should be executed by our professionals only.

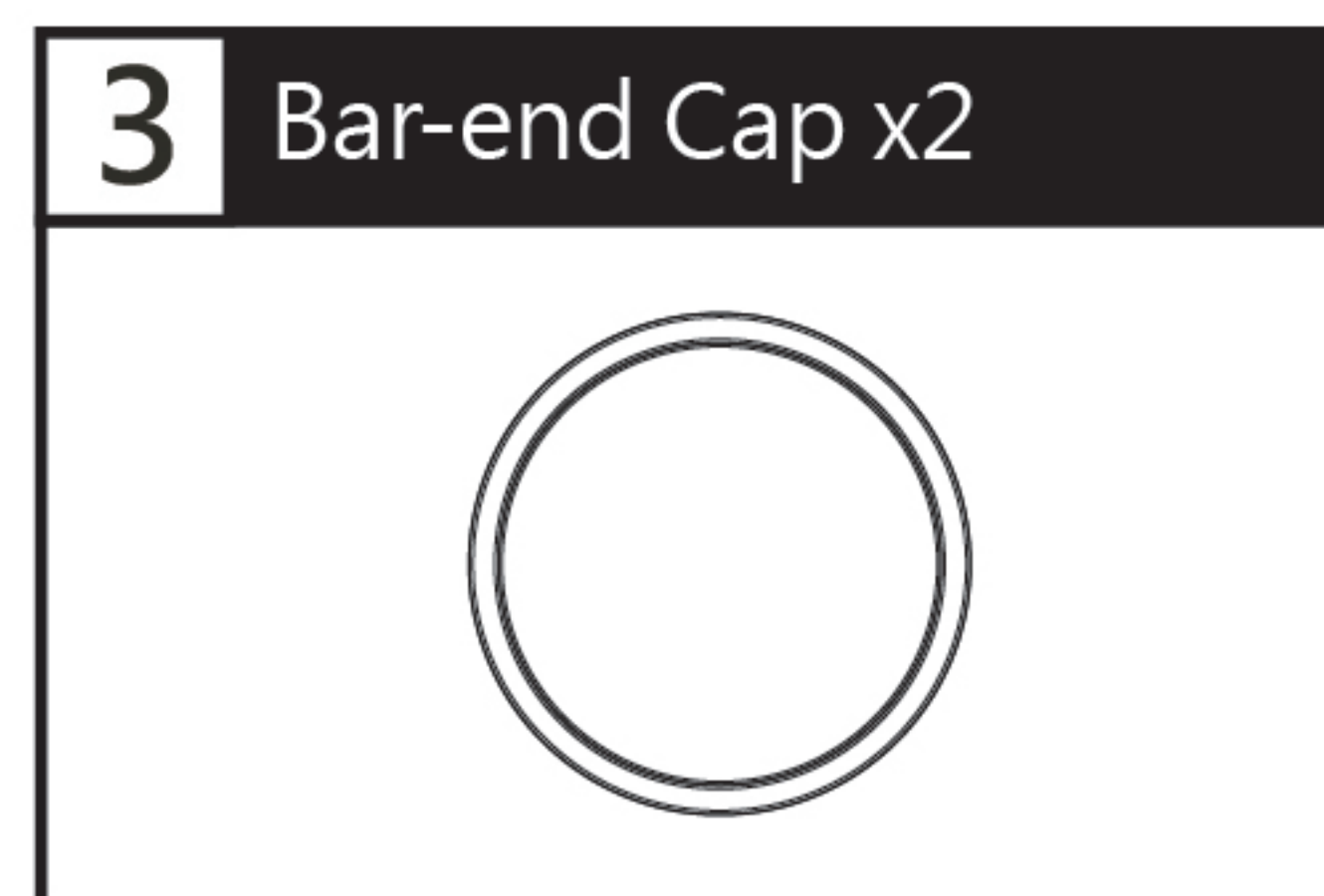
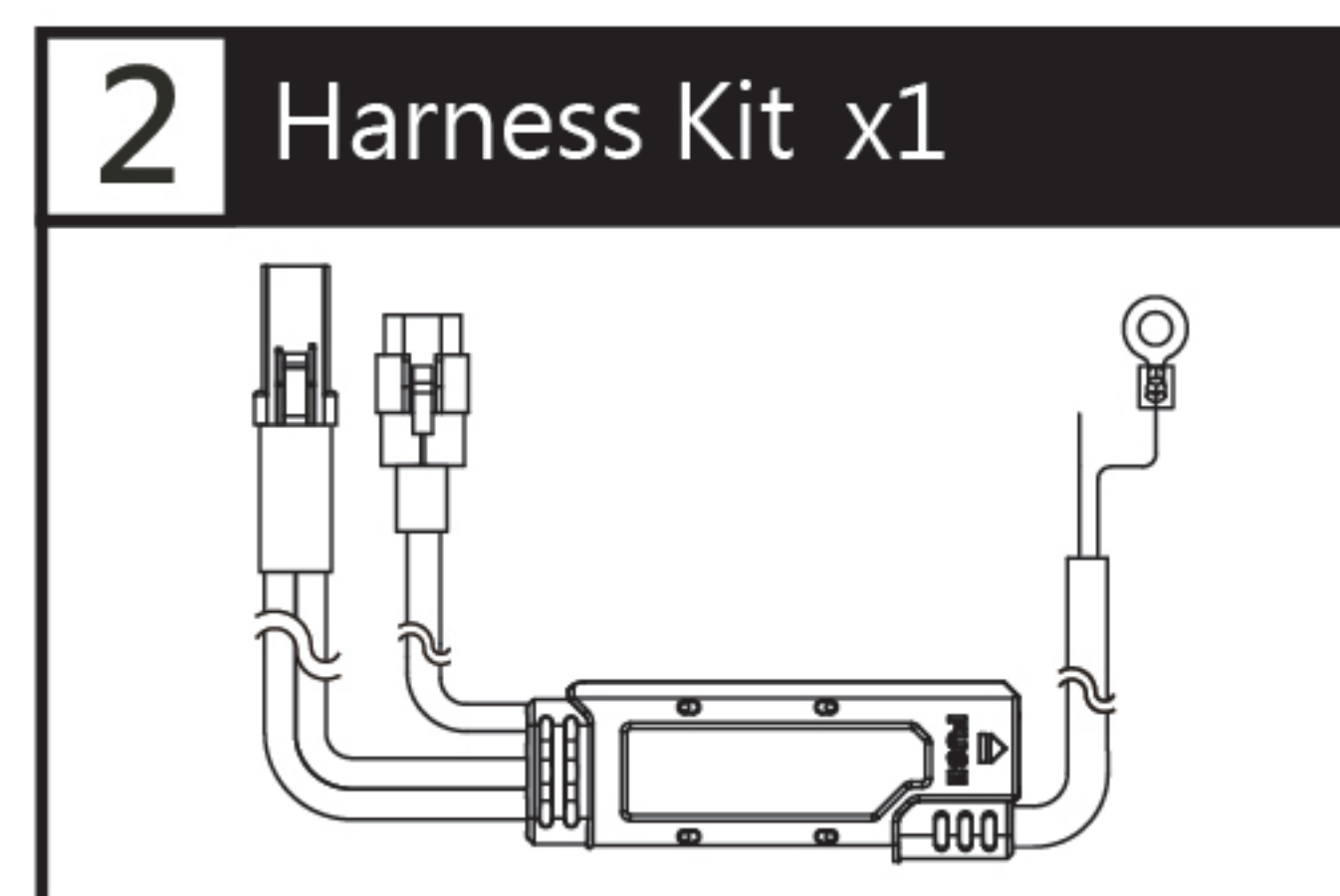
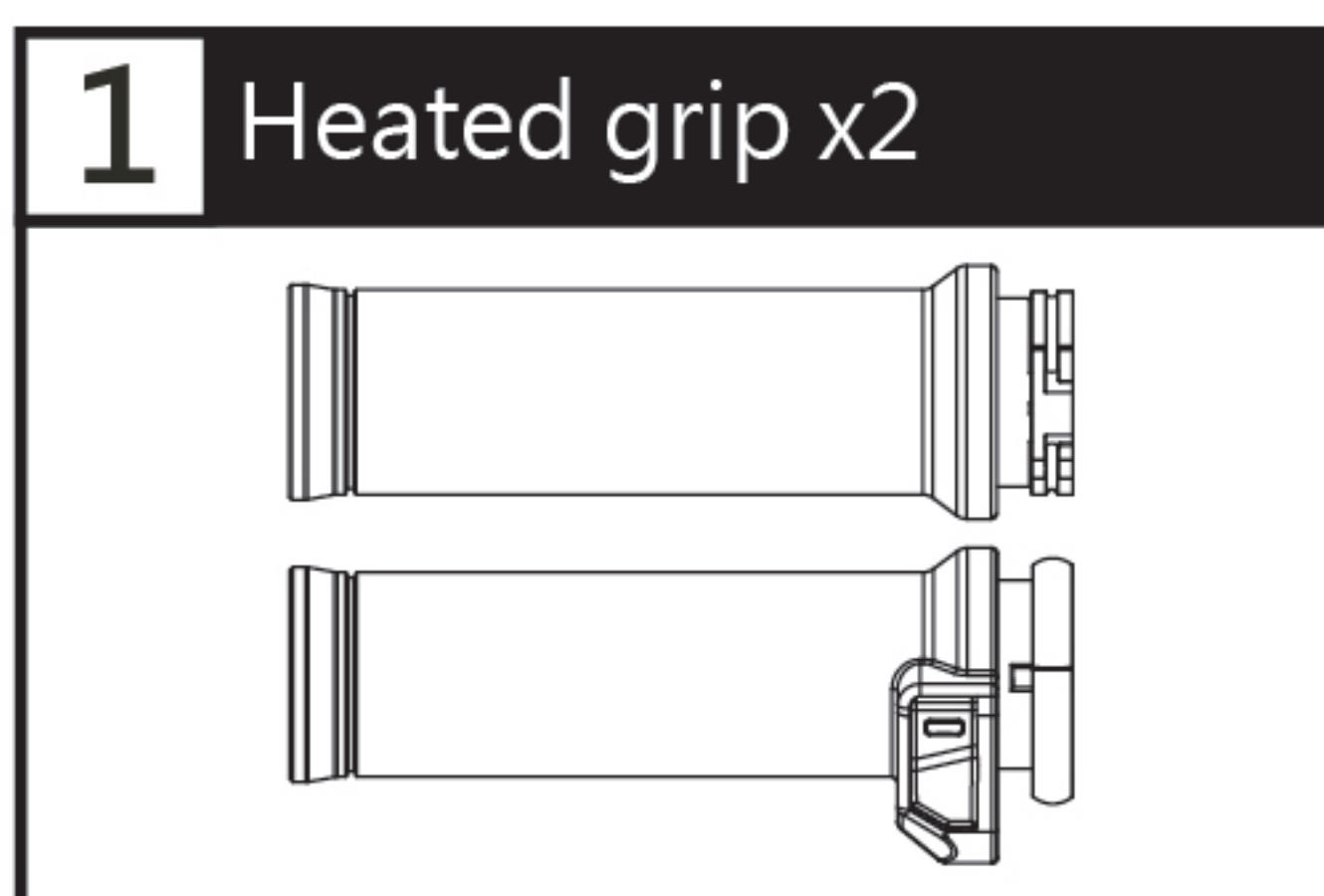
⚠ Some procedures must be followed to avoid damages caused by wrong installation.

⚠ **WARNING!** Some procedures must be followed to avoid damages to yourself or the public.

⚠ **CAUTION!** Some procedures must be followed to avoid damages to the vehicle.

📖 **READ CAREFULLY!** If any information dealt with in the instructions remains unclear, seek professional assistance.

## 1 Accessories



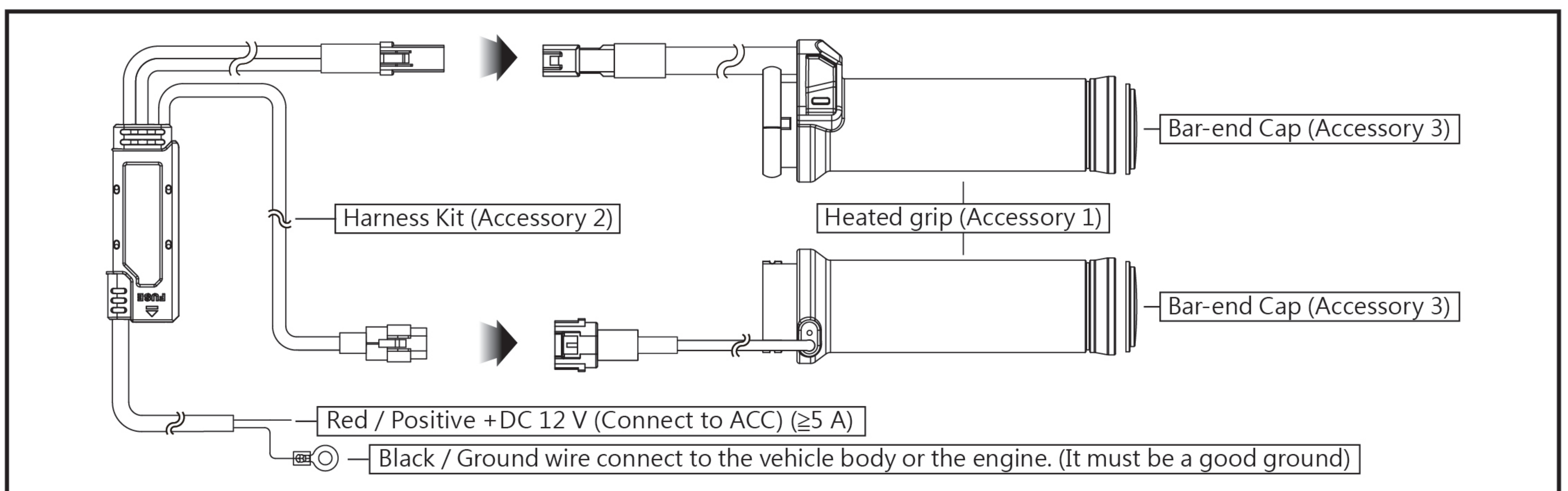
**NOTE** Contact your local distributor, if the items received in the box are not the same as the items listed above.

## 2-1 Practical installation instructions



Scan the QR code to connect the operation video

## 2-2 Practical installation instructions



### 3 Heating Function Instruction

● Key-On: White Color Light Up Once  
● Short Press: Enter Level 1

**NOTE** When no button pressed then it's in the turn-off mode which means no heating and no light up.

● Level 1:  
Heating Output - 20%  
Color of Light - Blue  
● Short Press: Enter Level 2

● Level 2:  
Heating Output - 40%  
Color of Light - Green  
● Short Press: Enter Level 3

● Level 3:  
Heating Output - 60%  
Color of Light - Yellow  
● Short Press: Enter Level 4

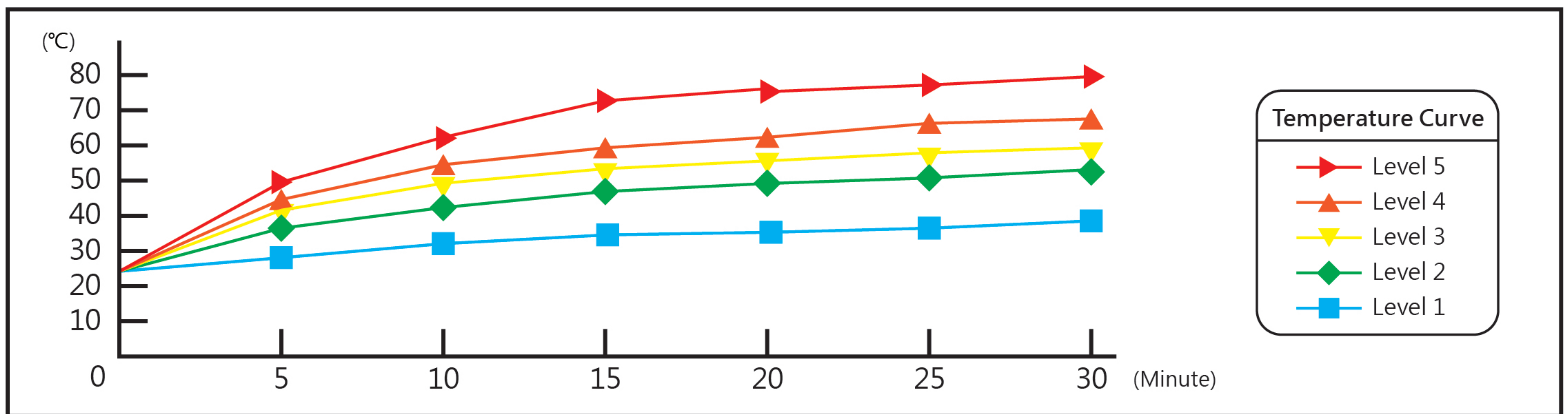
● Level 4:  
Heating Output - 80%  
Color of Light - Orange  
● Short Press: Enter Level 5

● Level 5:  
Heating Output - 100%  
Color of Light - Red  
● Short Press: Turn-Off

**NOTE** Press and hold the button for 3 seconds to turn off the heated grips at any level.

**NOTE** The Heated Grips use the memorizing function which means no matter if the grips were shut down at any level for more than 3 seconds and reset, it will restore to the previous level.

### 4 Heated Grip Testing Data



### 5 Low Battery Warning Instruction

● Low Battery Warning Activate Condition : When voltage lower than 11.5 V for more than 5 seconds.  
● Heating Output : Turn-Off  
● Indicator : Purple Light Flashing  
● Short Press During Warning : Temporary deactivate the warning.  
● Short Press During Turn-Off : Purple light flashing 3 times and turn-off.

**NOTE** Condition to Restore Normal Status : Detected voltage higher than 13 V and more than 5 seconds.

### 6 Caution

● Do not push the rubber section too hard as it might cause the device to break.

● Do not bend the in-line control unit on the harness kit, it might cause the unit to break.

### 7 Troubleshooting

The following situation does not indicate malfunction of the heated grips. Check the following before taking it in for repair.

Trouble-1	Check item
No LED indicator lighting up.	<ul style="list-style-type: none"> <li>● Could be the improper connection between the connectors. → Check each connector about the connection.</li> <li>● Could be the fuse that is burnt. → Replace the 4A fuse by Terminal Car Fuse.</li> </ul>

※If the problem couldn't be solved after above checking, contact the local dealer or KOSO directly.