



• Thank you for purchasing our product. Before installing/operating the product, please read the instructions carefully and retain them for future reference.

**⚠ Attention!**

- For installation, please follow the steps described. Any damage caused by wrong installation shall be imputed to the users.
- To avoid a short circuit from occurring do not pull or modify the wires during installation.
- Do not disassemble or change any parts. Opening and disassembling this unit will void any warranty.
- Maintenance and repairs should be executed by our professionals only.

• Symbol description:

**NOTE**

⚠ Some procedures must be followed to avoid damages to the instrument.

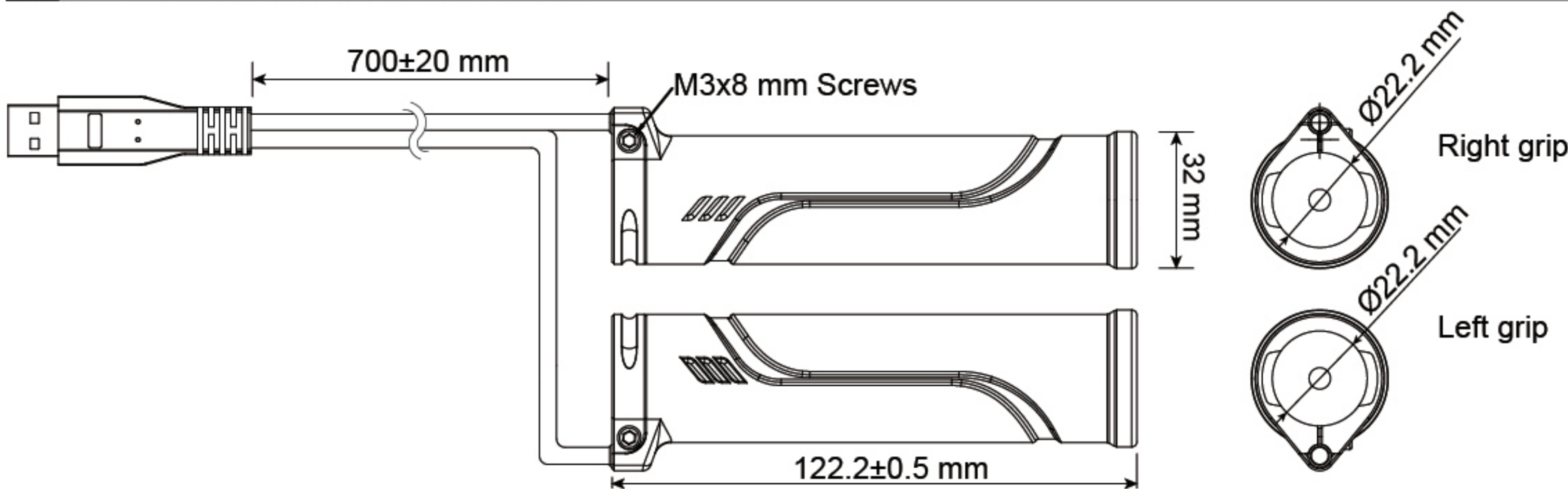
⚠ **WARNING!** Certain procedure must be followed to avoid damages to yourself, to the vehicle or others.

**1 Accessory**

<p><b>1</b> Bicycle heating grip X1</p>	<p><b>2</b> Ring fixing piece X1</p>	<p><b>3</b> Power bank ring X2</p>	<p><b>4</b> Fixing piece X1</p>
<p><b>5</b> Fixing piece ring X2</p>	<p><b>6</b> Foam tape X2</p>	<p><b>7</b> Rubber ring X3 (Ø40/60/80)</p>	

**NOTE** Contact your local distributor, if the items received in the box are not the same as the items listed above.

**2 Instruction of function**

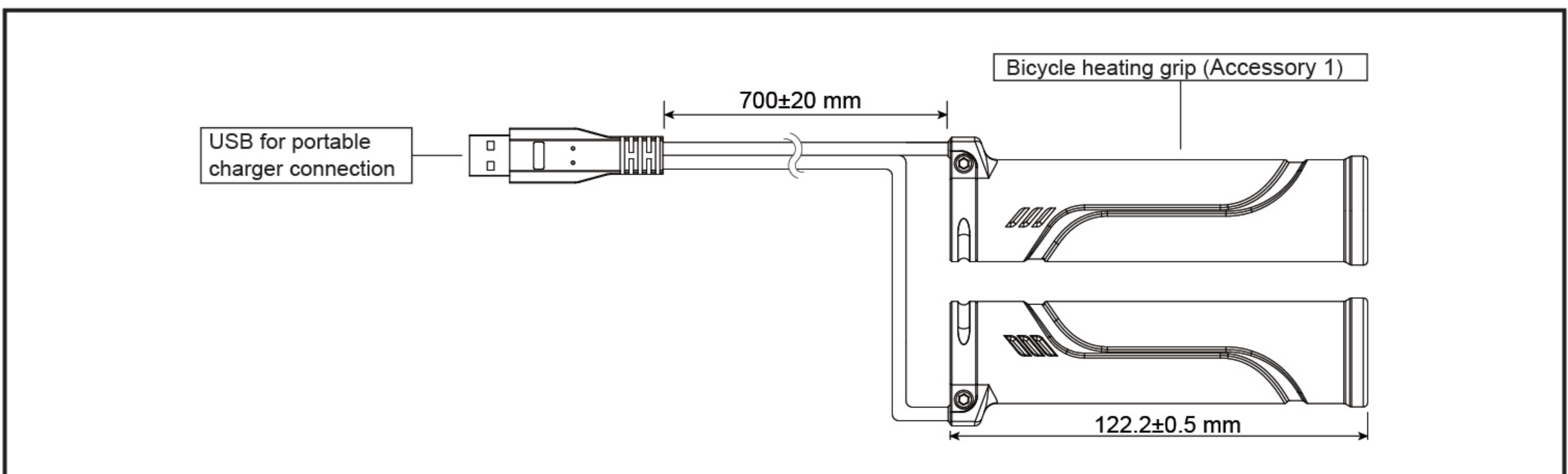


• Working Voltage	Rated Voltage : DC 5 V Consumed Power : 10W
• Portable charger specification	It is recommended to use charger with output of DC 5V/2.1A or above
• Effective temperature range	-10 ~ 60 °C

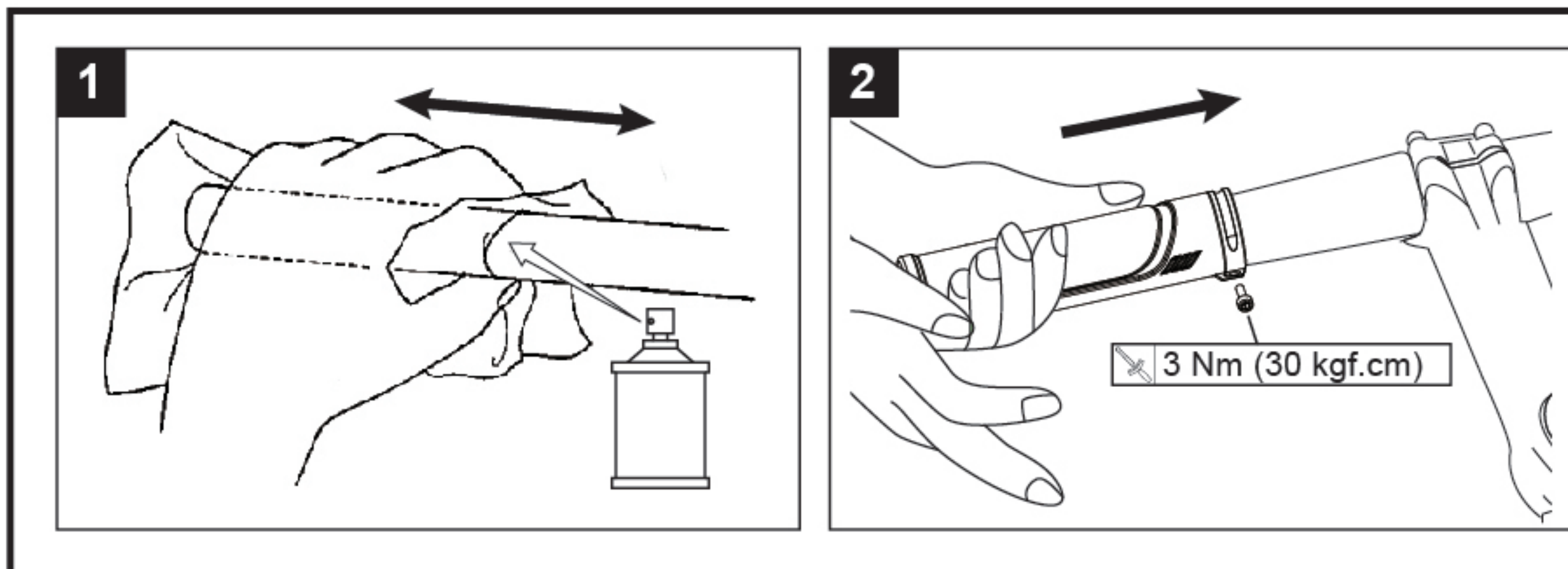
• Level of waterproof	Water resistance
• Size	Ø22.2 X 122.2 mm
• Weight	About 126 g

**NOTE** Design and specifications are subject to change without notice!

**3-1 Wiring installation instructions**



### 3-2 Practical installation instruction

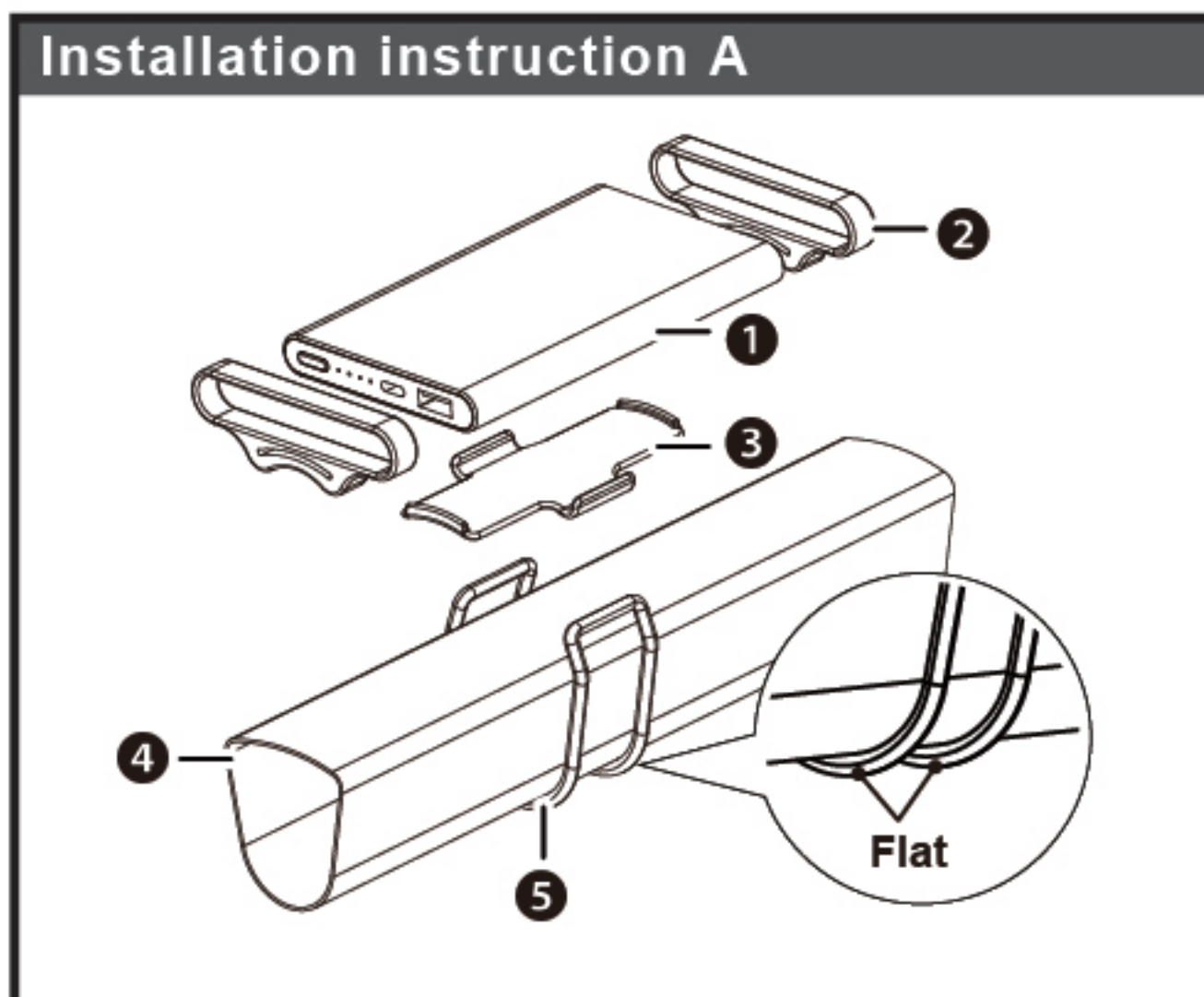


#### Follow the steps below during installation.

1. Please wipe clean the oil stain, moisture, and dust before installation.
2. Please use proper tools to affix the grip.

**NOTE** The installation tightness may differ according to the materials and appearances of the vehicle's grips; overrelaxation may affect the ride and cause dangers; please do not impose such usages.

### 3-3 Practical installation instruction

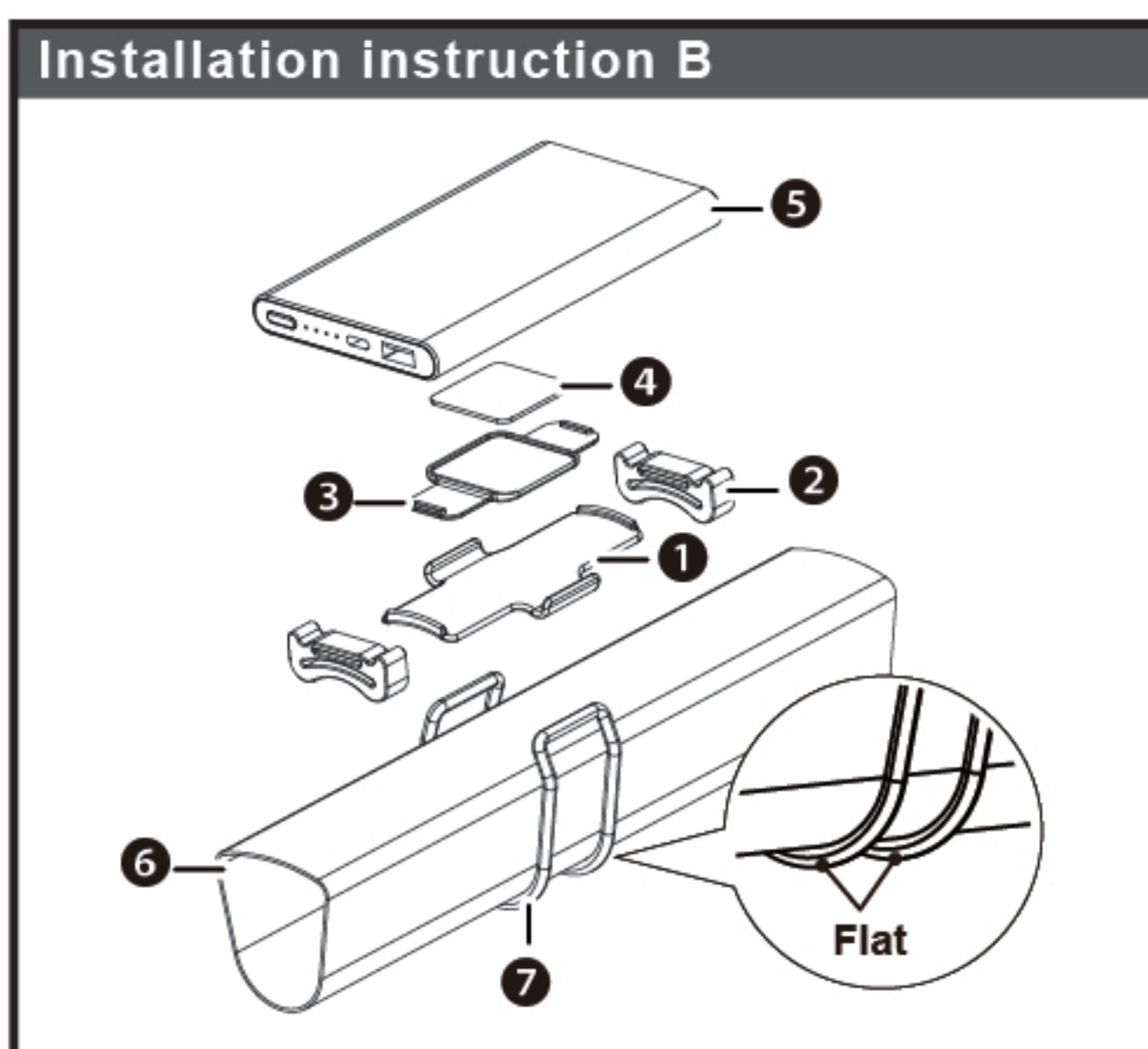


#### Follow the steps below during installation.

- 1 Power bank
- 2 Power bank ring (Accessory 3)
- 3 Ring fixing piece (Accessory 2)
- 4 Frame
- 5 Rubber ring (Accessory 7)



**NOTE** Please select the rubber ring (Accessory 7) with the appropriate size for installation.  
 ⚠ Please hook the rubber ring (Accessory 7) to the lower frame of the vehicle to avoid sliding.



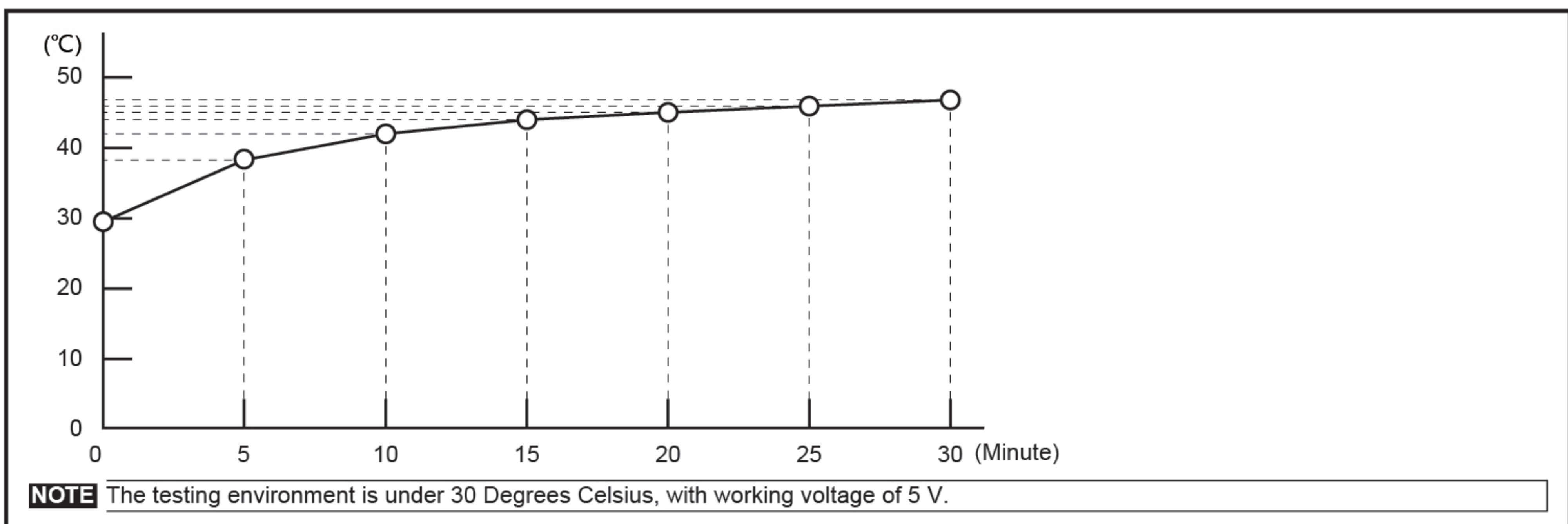
#### Follow the steps below during installation.

- 1 Ring fixing piece (Accessory 2)
- 2 Fixing piece ring (Accessory 5)
- 3 Fixing piece (Accessory 4)
- 4 Foam tape (Accessory 6)
- 5 Power bank
- 6 Frame
- 7 Rubber ring (Accessory 7)



**NOTE** Please select the rubber ring (Accessory 7) with the appropriate size for installation.  
 ⚠ Please hook the rubber ring (Accessory 7) to the lower frame of the vehicle to avoid sliding.

### 4 Heated grip testing data



### 5 Trouble Shooting

The following situation do not indicate malfunction of the meter. Please check the following before taking it in for repair.

Trouble	Check item
No evident temperature.	<ul style="list-style-type: none"> <li>• May be due to no power supply.                             <ul style="list-style-type: none"> <li>→ Please ensure whether the wirings are duly connected.</li> <li>→ Check whether the specification of the portable charger is DC 5V/2.1A or above.</li> <li>→ Check the wires for the product and the gadget.</li> </ul> </li> </ul>
One side overheated while the other side has no temperature.	<ul style="list-style-type: none"> <li>• May be due to product damages.                             <ul style="list-style-type: none"> <li>→ Please return to the distributor.</li> </ul> </li> </ul>

※If the problems still can't be solved, please contact your local distributor to get assistance.



• Thank you for purchasing our product. Before installing/operating the product, please read the instructions carefully and retain them for future reference.

**⚠ Attention!**

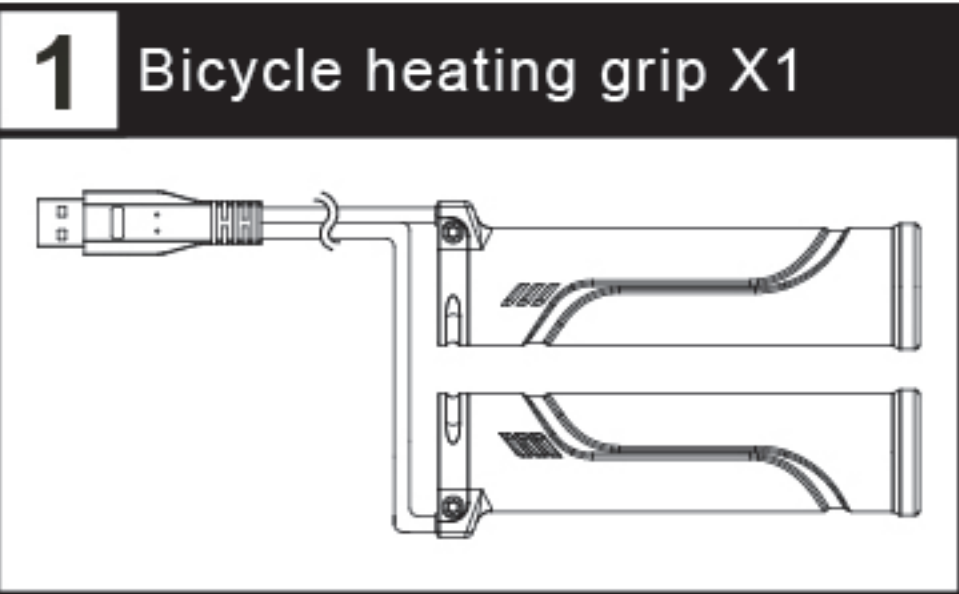
- For installation, please follow the steps described. Any damage caused by wrong installation shall be imputed to the users.
- To avoid a short circuit from occurring do not pull or modify the wires during installation.
- Do not disassemble or change any parts. Opening and disassembling this unit will void any warranty.
- Maintenance and repairs should be executed by our professionals only.

• Symbol description:

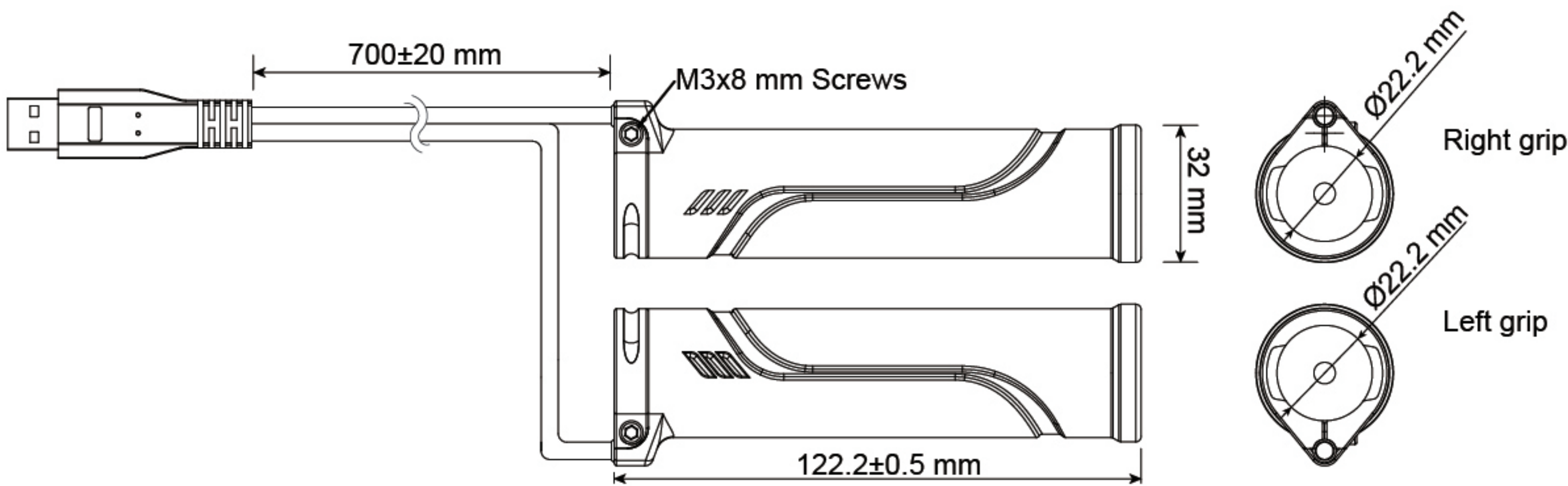
**NOTE**

- ⚠ Some procedures must be followed to avoid damages to the instrument.
- ⚠ **WARNING!** Certain procedure must be followed to avoid damages to yourself, to the vehicle or others.

**1 Accessory**



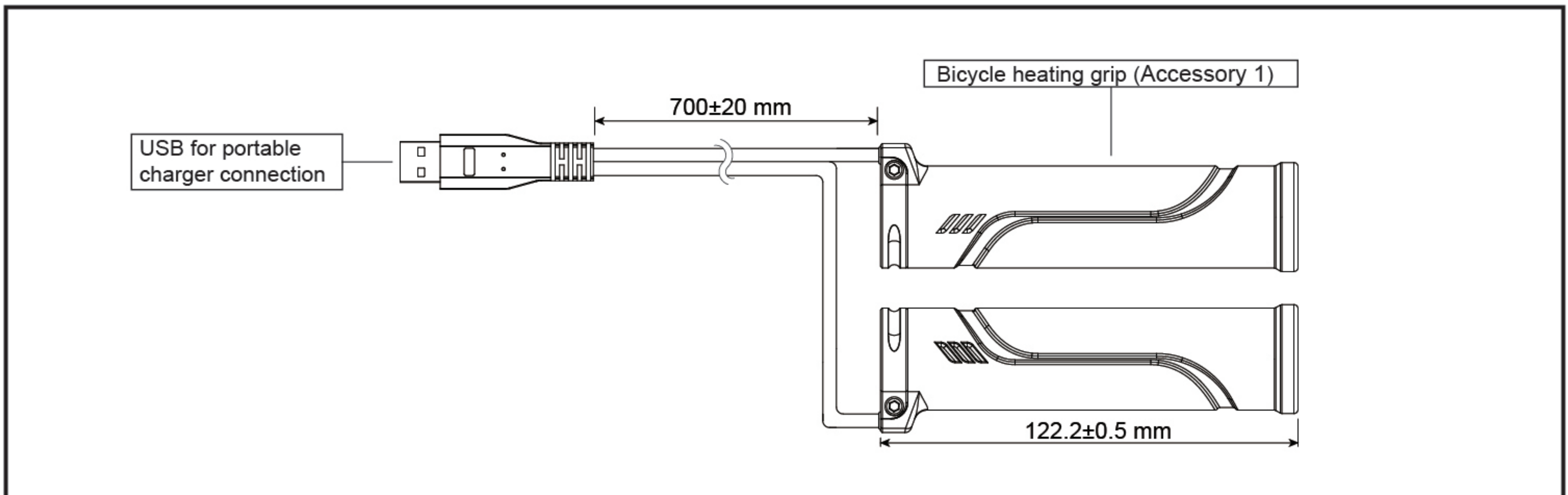
**2 Instruction of function**



• Working Voltage	Rated Voltage : DC 5 V Consumed Power : 10W
• Portable charger specification	It is recommended to use charger with output of DC 5V/2.1A or above
• Effective temperature range	-10 ~ 60 °C
• Level of waterproof	Water resistance
• Size	Ø22.2 X 122.2 mm
• Weight	About 126 g

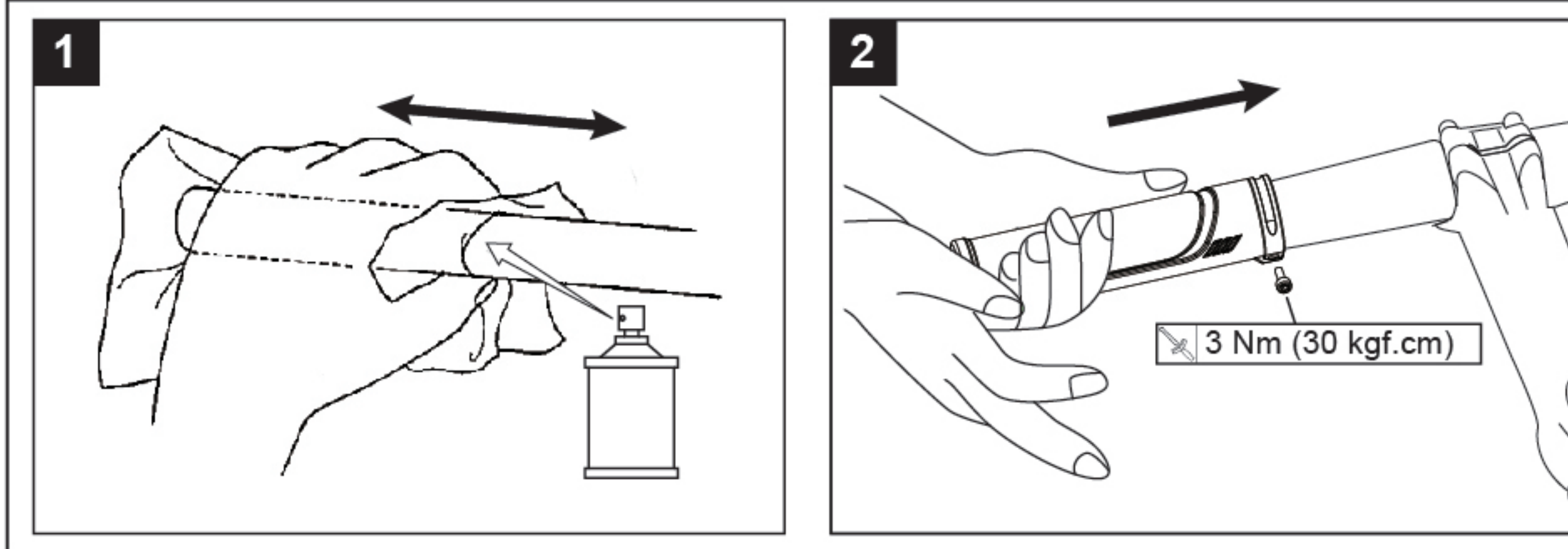
**NOTE** Design and specifications are subject to change without notice!

**3-1 Wiring installation instructions**



## 3-2 Practical installation instruction

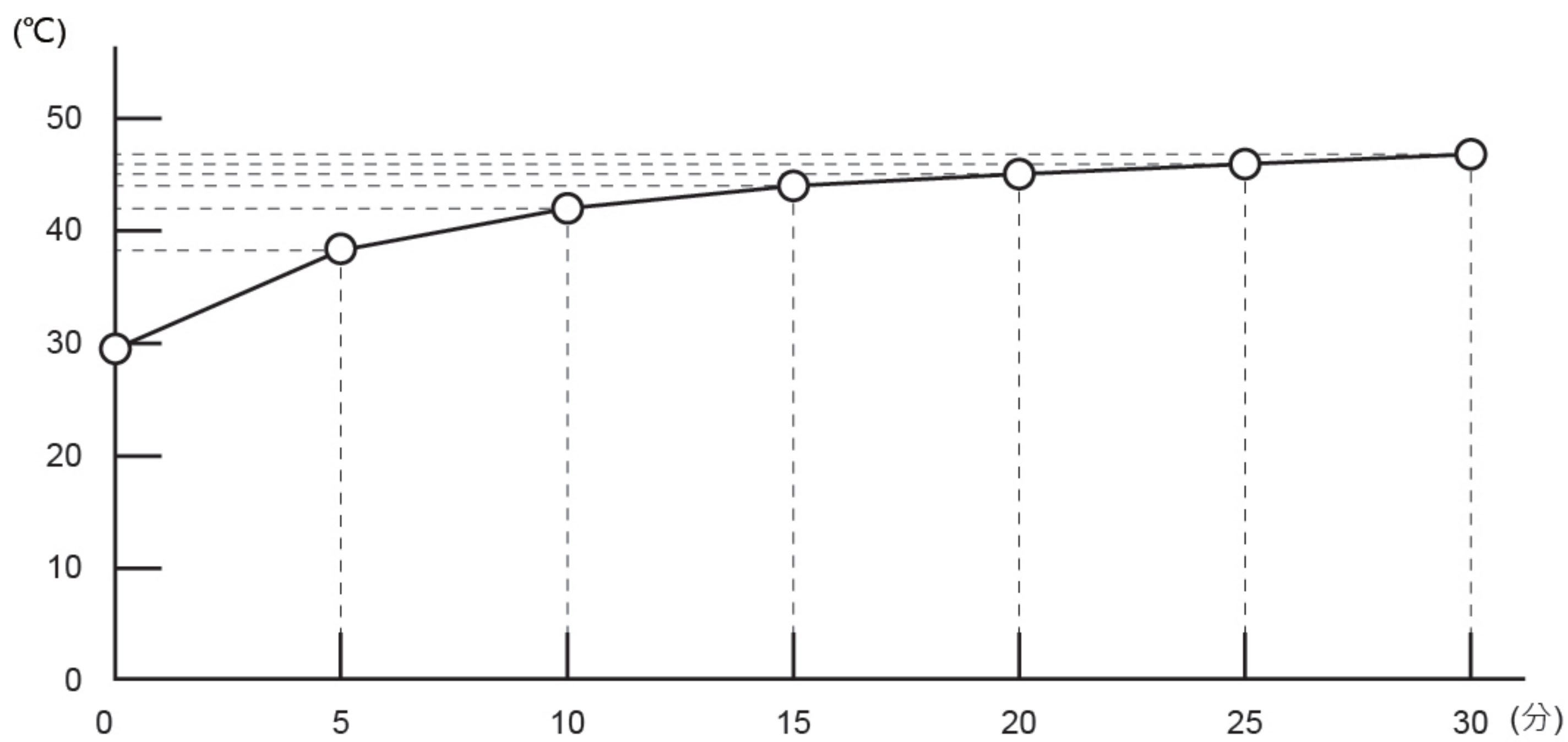
Follow the steps below during installation.



1. Please wipe clean the oil stain, moisture, and dust before installation.
2. Please use proper tools to affix the grip.

**NOTE** The installation tightness may differ according to the materials and appearances of the vehicle's grips; overrelaxation may affect the ride and cause dangers; please do not impose such usages.

## 4 Heated grip testing data



**NOTE** The testing environment is under 30 Degrees Celsius, with working voltage of 5 V.

## 5 Trouble Shooting

The following situation do not indicate malfunction of the meter. Please check the following before taking it in for repair.

Trouble	Check item
No evident temperature.	<ul style="list-style-type: none"> <li>● May be due to no power supply.                             <ul style="list-style-type: none"> <li>→ Please ensure whether the wirings are duly connected.</li> <li>→ Check whether the specification of the portable charger is DC 5V/2.1A or above.</li> <li>→ Check the wires for the product and the gadget.</li> </ul> </li> </ul>
One side overheated while the other side has no temperature.	<ul style="list-style-type: none"> <li>● May be due to product damages.                             <ul style="list-style-type: none"> <li>→ Please return to the distributor.</li> </ul> </li> </ul>

※If the problems still can't be solved, please contact your local distributor to get assistance.