



● Thank you for purchasing our product. Before installing/operating the product, please read the instructions thoroughly and retain them for future reference.

⚠ Attention!

1. For installation, please follow the steps described. Any damage caused by wrong installation shall be imputed to the users.
2. Do not disassemble or change any parts.
3. Opening the instrument will void any warranty. Maintenance or repair should be executed by our professionals only.

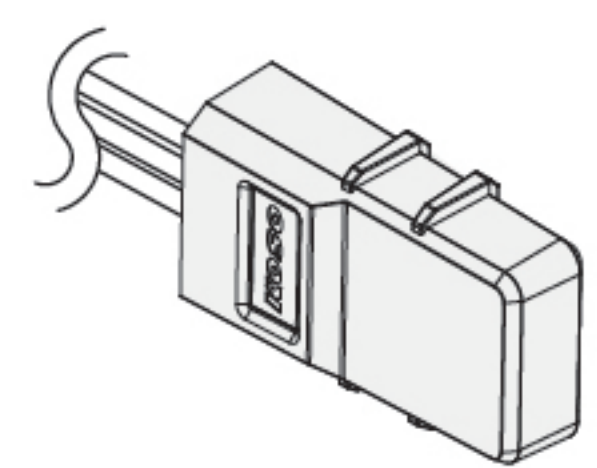
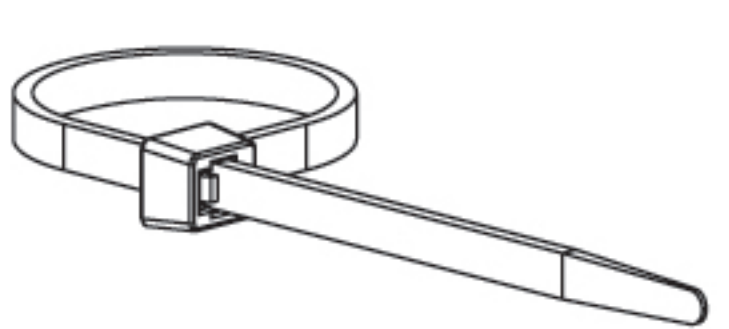
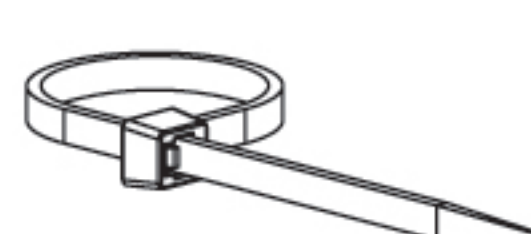

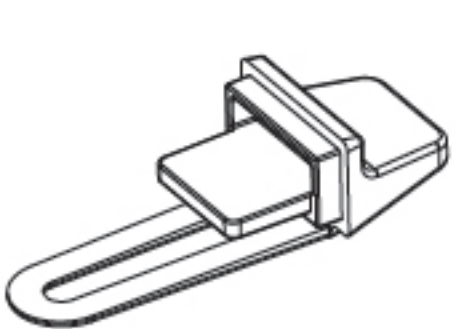

◎ **SYMBOL DESCRIPTION:**

NOTE The symbols indicate additional instructions.

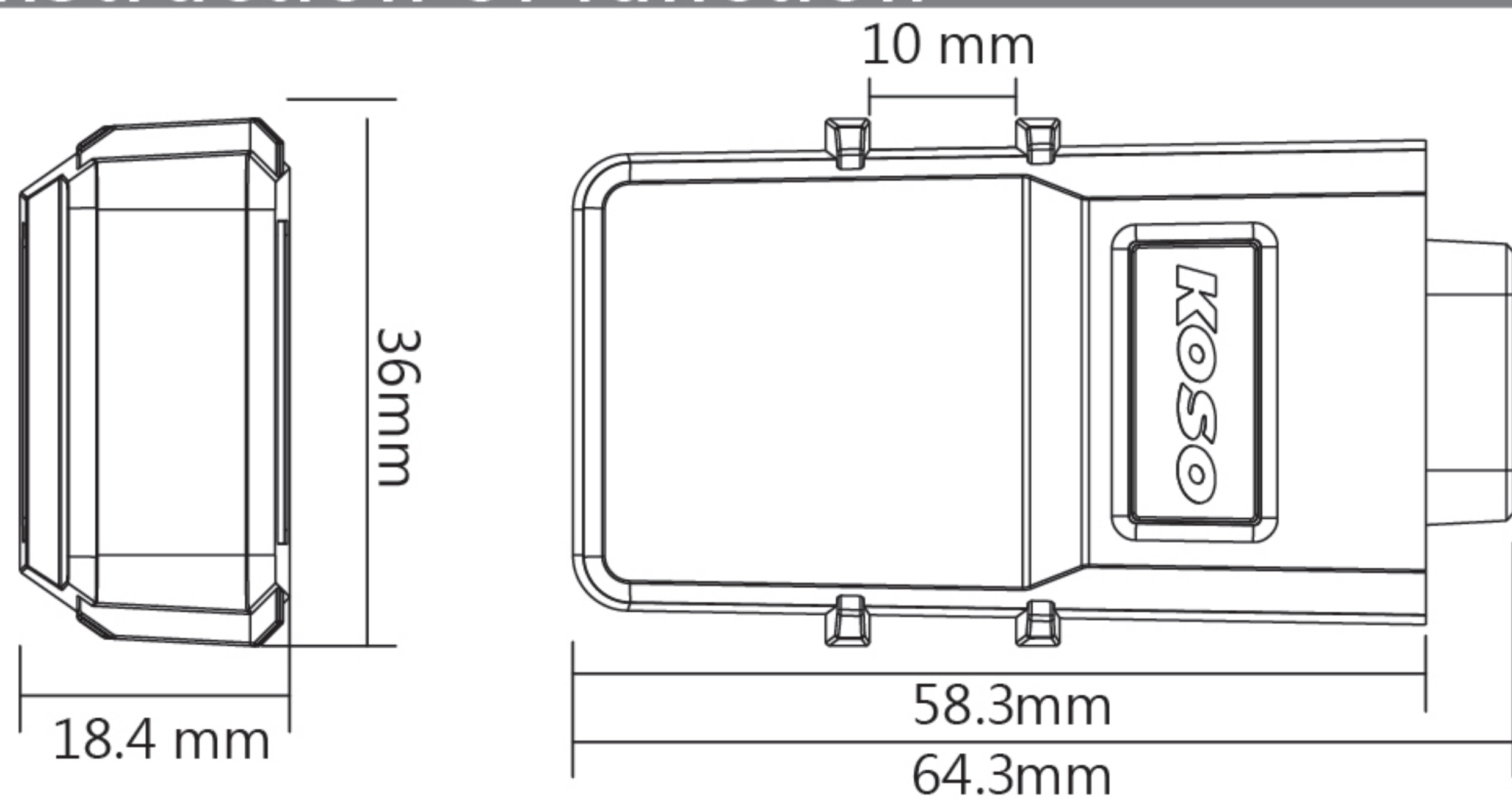
⚠ Some procedures must be followed to avoid damages to the instrument.

WARNING! Certain procedure must be followed to avoid damages to yourself, to the vehicle or the public.

1 Accessories

<p>1 USB Charger X1</p> 	<p>2 Zip Tie (4.6x300 mm) X1</p> 	<p>3 Zip Tie (3.6x203 mm) X4</p> 	<p>4 Holder X2</p> 
<p>5 USB Dust Cover X2</p> 	<p>6 3M Adhesive X1</p> 		

2 Instruction of function



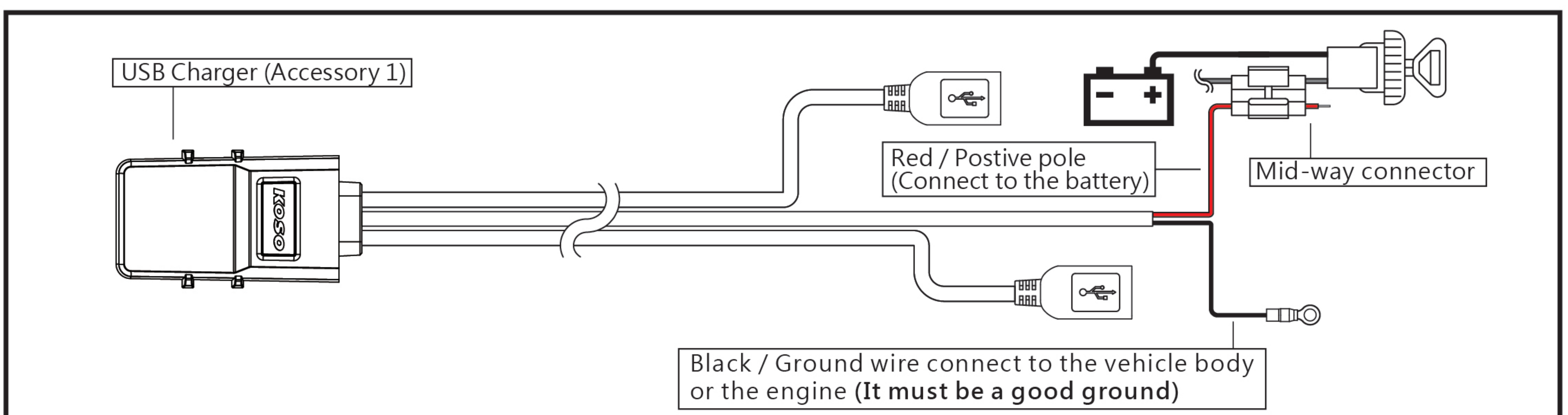
● USB Working Voltage	Voltage Range : DC 11.5 ~ 16 V Output specifications : Support 3.0 power-charging DC5V/3A 9V/2A 12V/1.5A
● Effective temperature range	-10 ~ 60 °C
● IP Level	IP54
● Size	64.3 X 18.4 X 36 mm
● Weight	About 96 g

⚠ Warning! When washing your vehicle, please DO NOT spray water or soap directly on the USB charger; this could damage the charger and make it unable to charge any device.

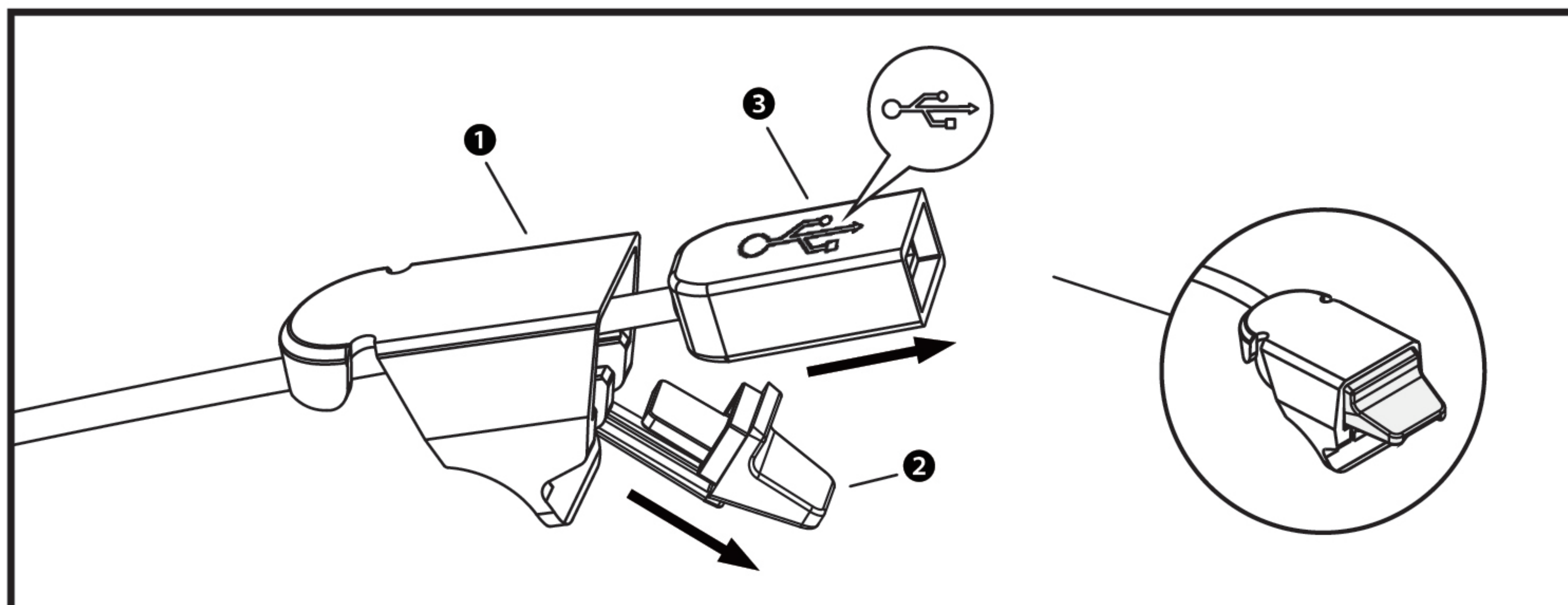
⚠ When the USB Charger is not in use, please close the cover to avoid any dust and water entering inside the USB hub and damage it.

NOTE Design and specifications are subject to change without notice!

3-1 Wiring installation instructions



3-2 Installation instruction



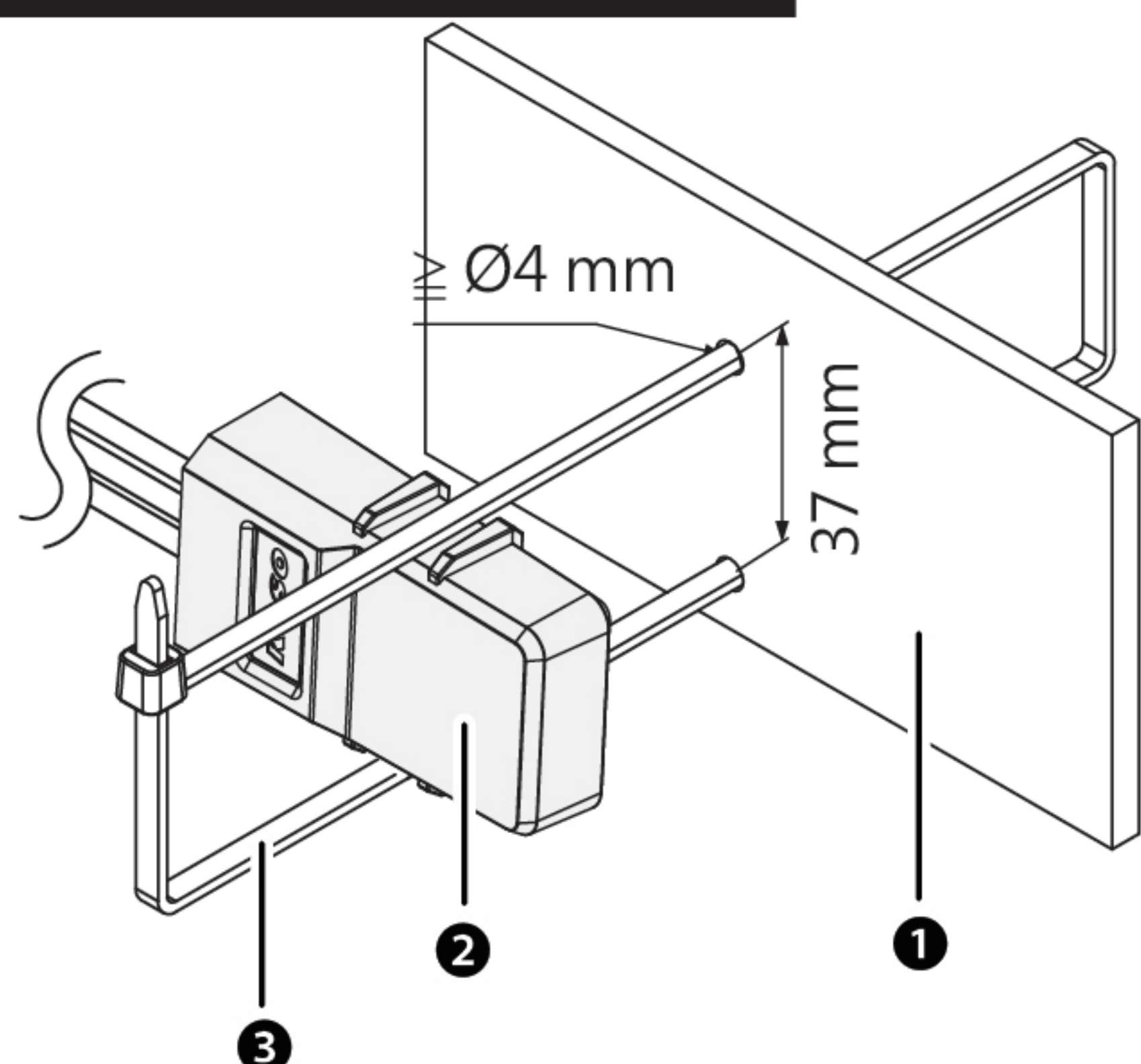
Please, follow the steps below

- ❶ Holder
 - ❷ USB Dust & Water Cover
 - ❸ USB Plug
- ⚠ When installing ❸, please note that the USB icon shall face upward to be properly assembled with the dust cap.

3-3 Practical installation instruction

Follow the steps below during installation.

Charger installation instructions A

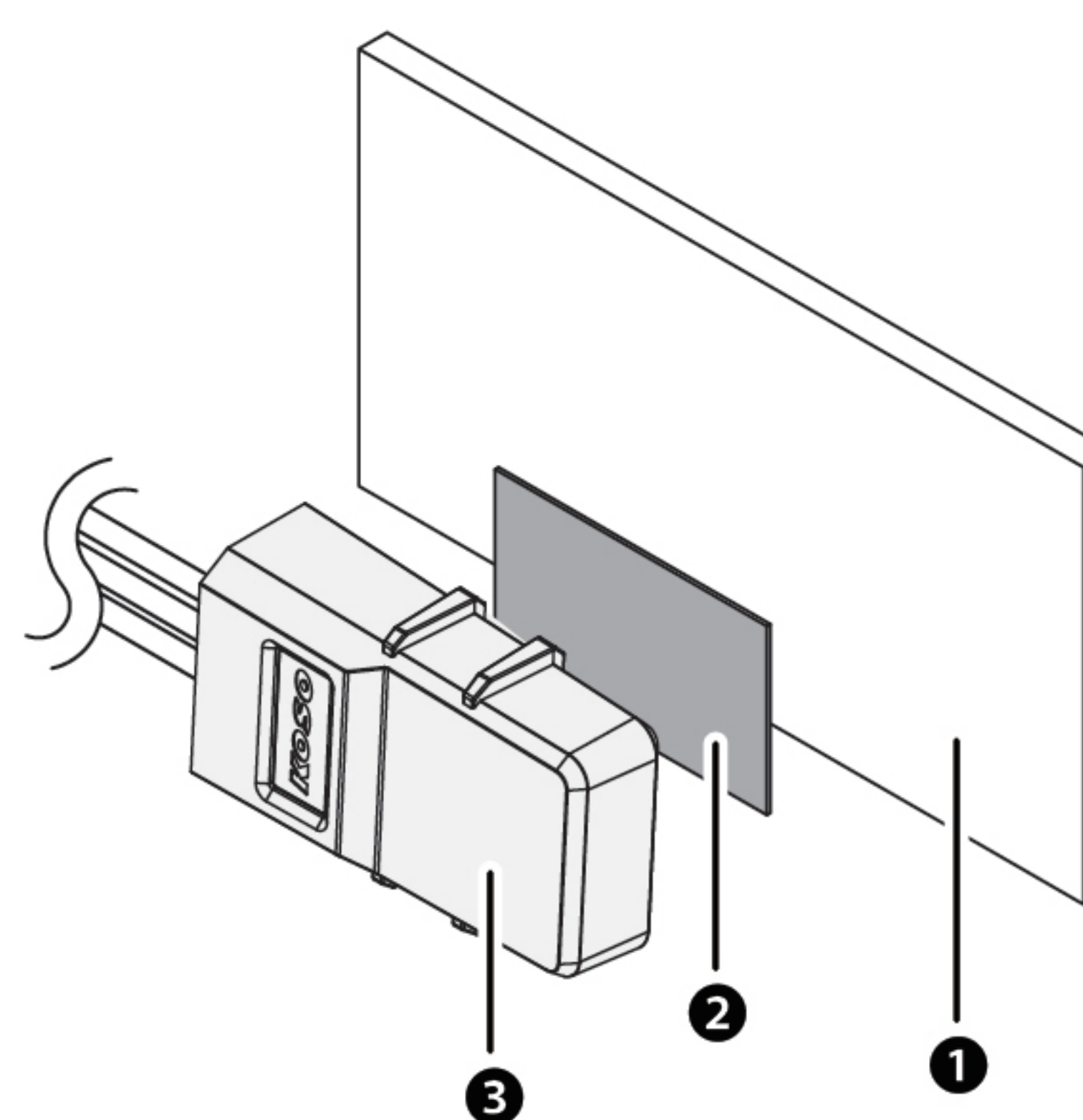


- ❶ Please use the proper tool to drill a hole on the correct position of the body case.

NOTE When you drill the hole, please be aware the diameter of the hole cannot be smaller than 4mm. If the diameter is smaller than 4mm, then zip tie might not be able to go through.

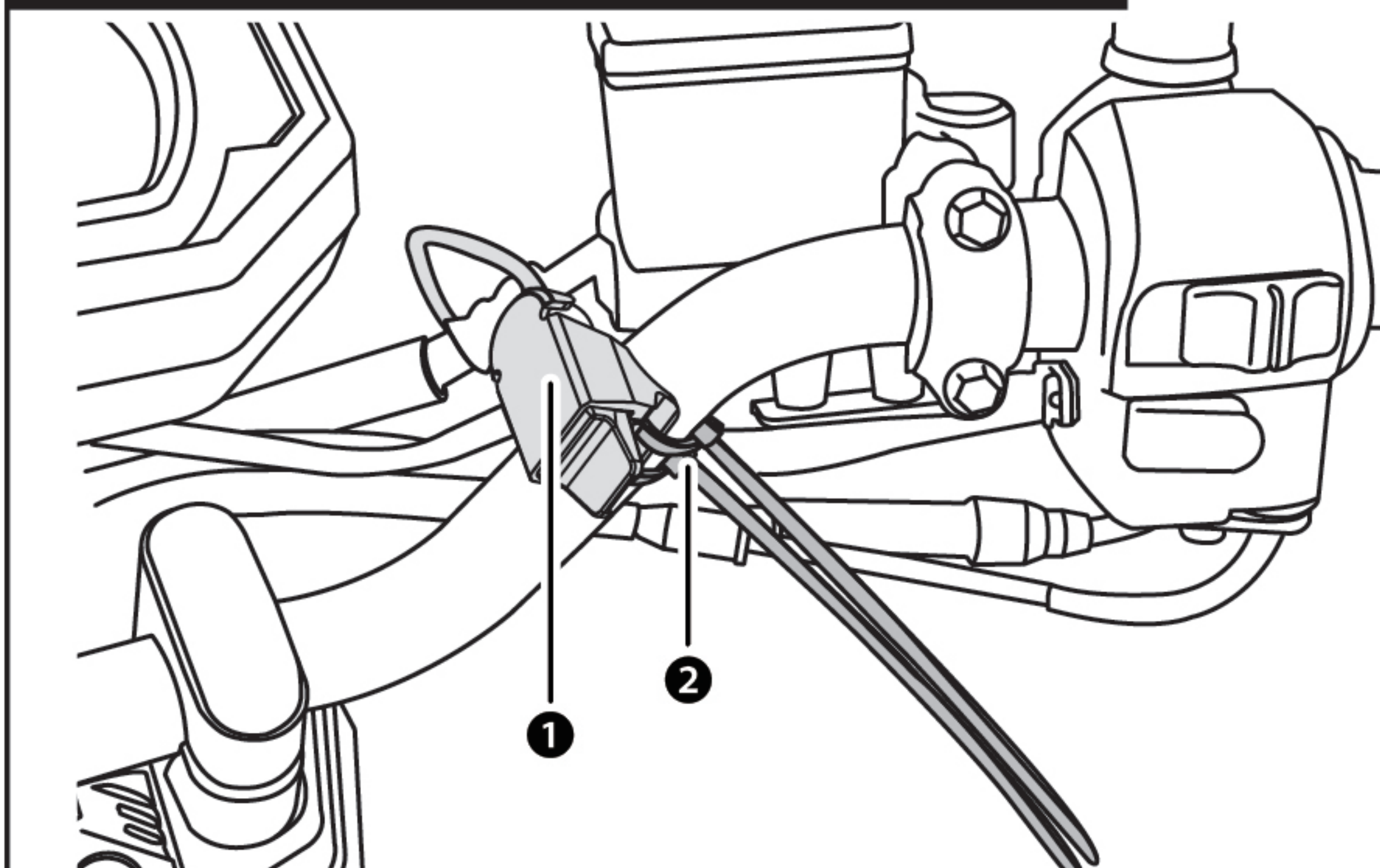
- ❷ USB Charger (Accessory 1).
- ❸ Use the zip tie (Accessory 2) to fix it at the proper spot on the vehicle.

Charger installations instruction B



- ❶ Vehicle case position.
- ❷ Use 3M adhesive (Accessory 6) to fix it at the proper spot on the vehicle.
- ❸ USB Charger (Accessory 1).

Holder installation instructions



- ❶ Holder
- ❷ Use the Zip Tie (Accessory 3) to fix the holder assembly in the proper location on the vehicle.

NOTE Use commercially available twin adhesive at the bottom of the holder for better fixation, if necessary.

NOTE Clean up the surface (including grease, water, and dust) where you want to apply the Velcro before you stick it on. Please apply pressure with your thumb and press few times all over the area of the Velcro. Ensuring the Velcro has full contact with the surface will enhance the stickiness of the whole area.

⚠ The opening of the USB plug shall not face upward this may cause product damage resulting from a water accumulation.

⚠ Be careful about the hole drilling position to prevent the length shortage of the harness.

4 Trouble shooting

The following situation does not necessary indicate malfunction of the device. Please check the following points, before taking it in for maintenance.

Trouble	Check item
No charging function .	<ul style="list-style-type: none"> ● There might be no power supply. <ul style="list-style-type: none"> → Make sure the wires are connected. → Make sure the positive/negative poles are properly connected. → Battery malfunction or battery voltage lower than 11.5V. → Check the wires of product and device.