



# INSTRUCTION



● Thank you for purchasing MINI 3 the Oil pressure meter, before operating the unit, please read the instruction thoroughly and retain it for the future reference.

## ⚠ Notice

1. The meter works for DC12V only!
2. For installation, please follow the steps described in manual. Any damage caused by wrong installation shall be imputed to the users.
3. Don't break or modify the wire terminal. To avoid the short circuit, please don't pull the wire when installing.
4. Do not disassemble or change any parts excluding the manual description.
5. The interior examination or maintenance should be executed by our professionals.

### MARK MEANING:

**NOTE** You could get the installation details from the information behind the mark.

⚠ Some processes must be followed to avoid the affection caused by wrong installation.

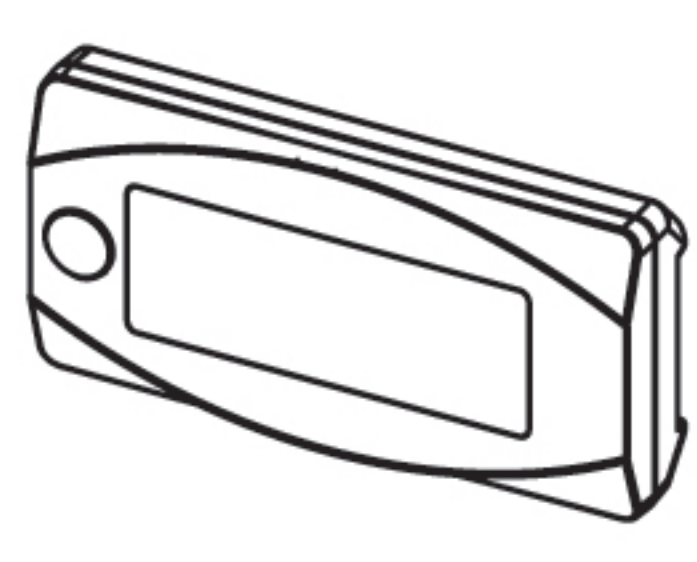
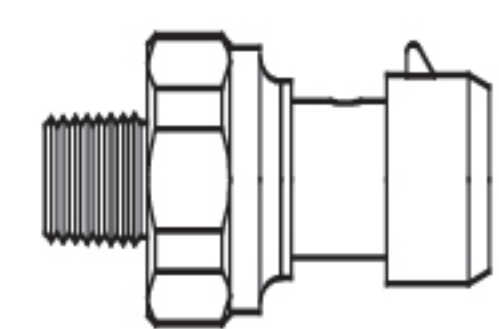
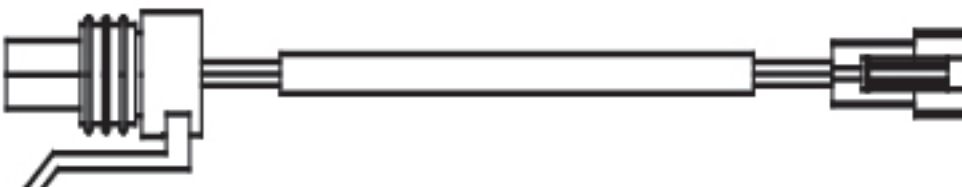

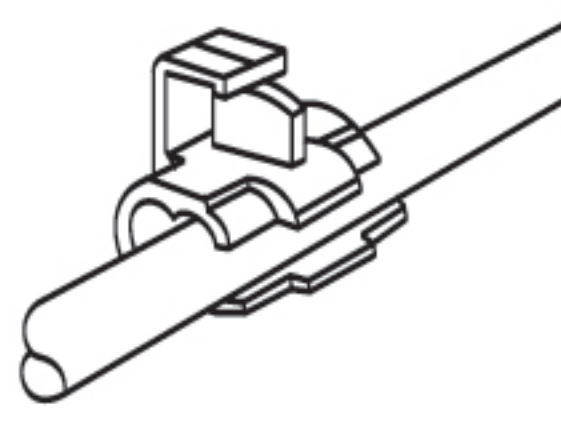
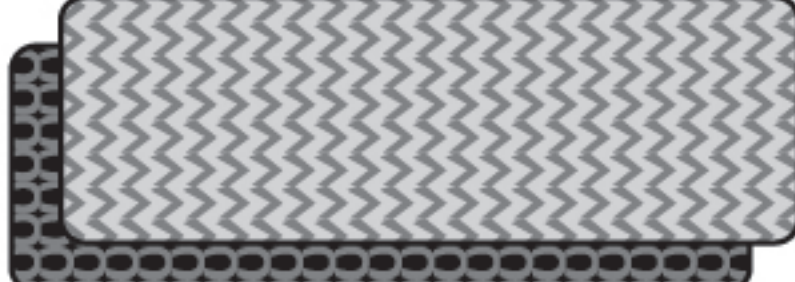


PRESS THE BUTTON ONE TIME



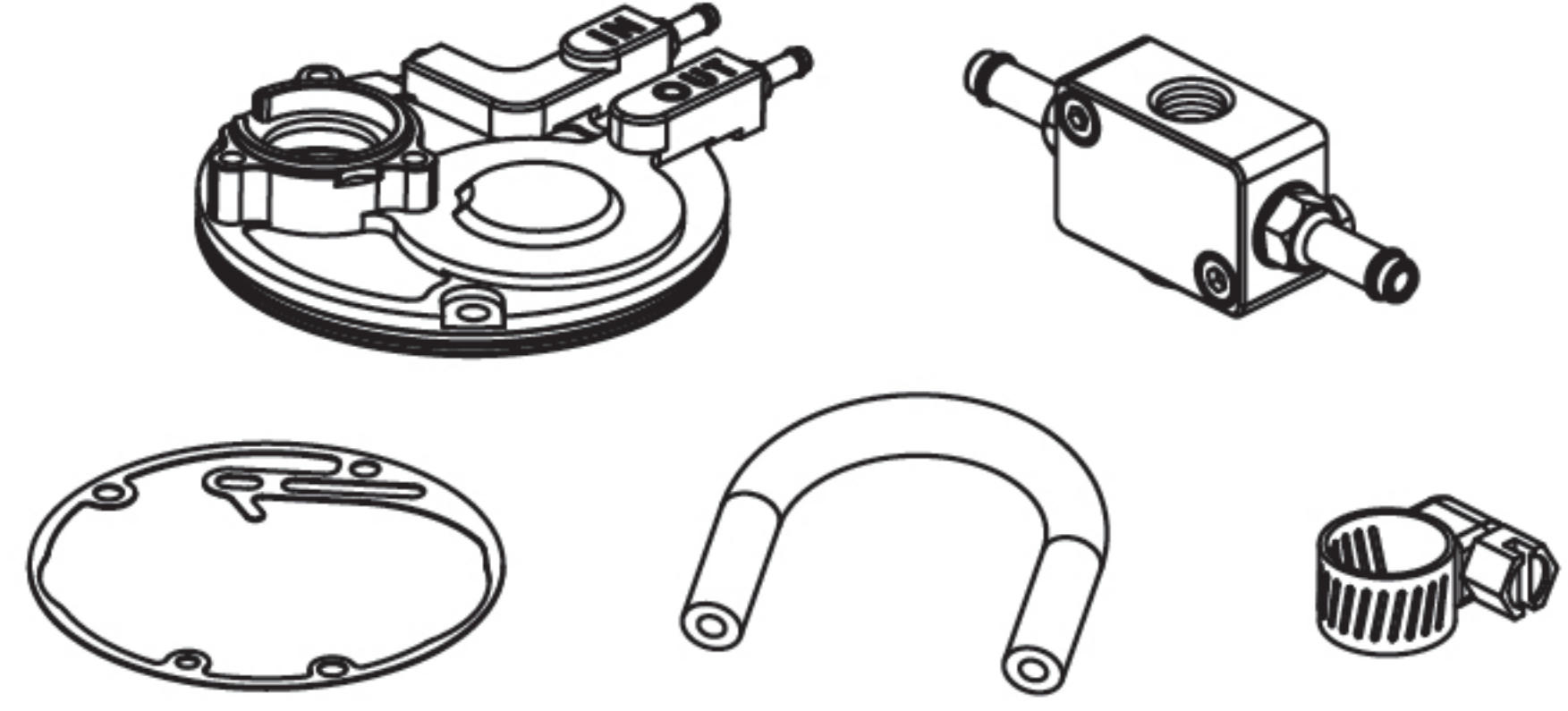


PRESS THE BUTTON 3 SECONDS

## 1-1 Accessory

<b>1</b> Meter X 1 	<b>2</b> Electronic sensor x1 	<b>3</b> Sensor adapting wire x1  <b>4</b> Sensor extension wire x1 	<b>5</b> Mid-way connect X2 	<b>6</b> Velcro X 1 set 
---	--	---	--	--

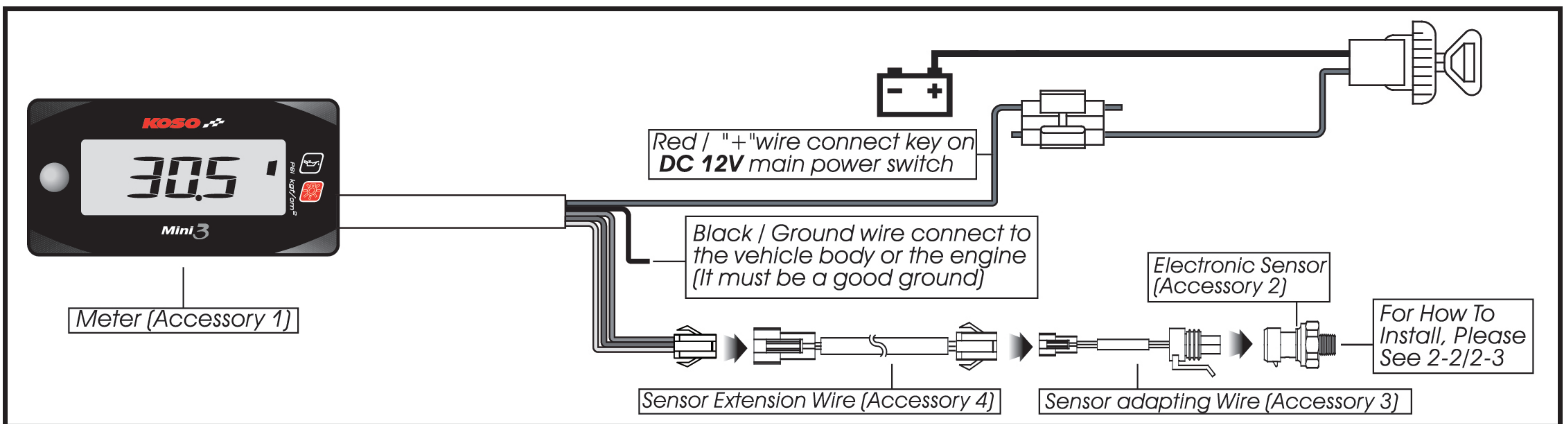
**NOTE** Please contact the local distributor if the items you open are not the same, with the above-listed one.

## 1-2 Option Accessory

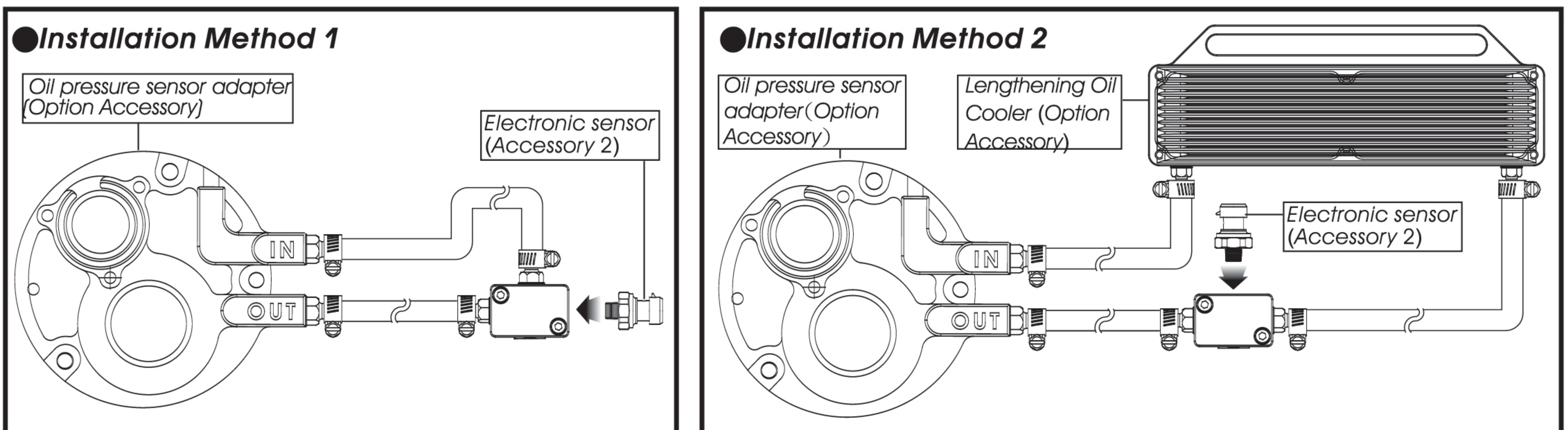
<b>1</b> Oil pressure sensor adapter 	<b>2</b> Oil Cooler Temperature Sensor 3 ways adapter 	<b>3</b> Lengthening Oil Cooler 
---	---	--

**NOTE** Some of the option accessories may not sell. For the details, please contact the local distributor.

## 2-1 Wiring installation instructions



## 2-2 Instruction for Installing the Sensor on Scooter



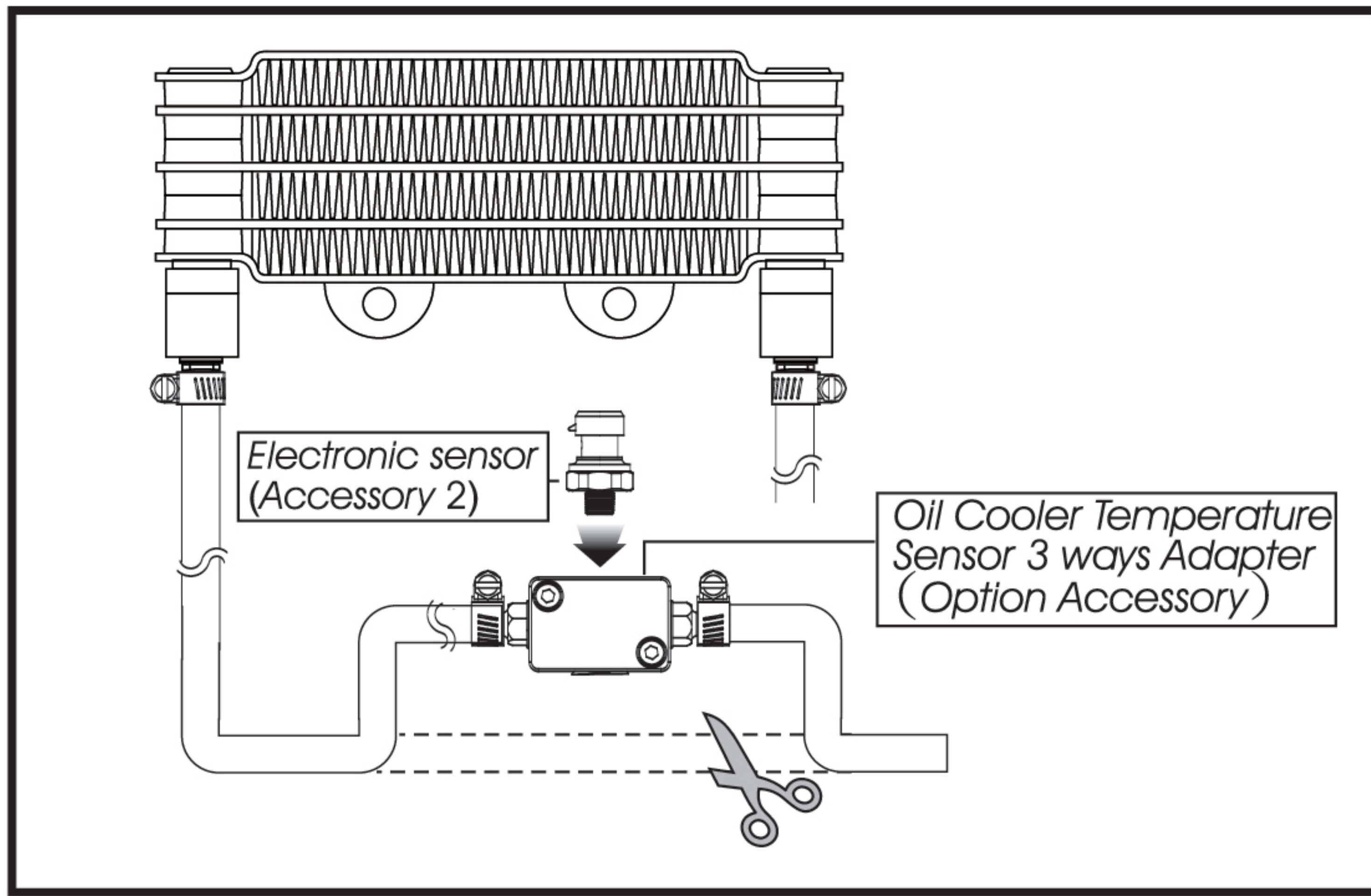
**NOTE** Some type of scooter need to work with KOSO Oil Pressure Sensor Adapter (option accessory)

**NOTE** If work with KOSO Oil Pressure Sensor Adapter (option accessory), please see Installation Method 1.

**NOTE** If work with KOSO Oil Pressure Adapter (option accessory) + KOSO Lengthening Oil Cooler (option accessory), please see Installation Method 2



## 2-3 Instruction for Installing Sensor on Motorcycle



**NOTE** Installation method might be different when applying on different motorcycle. This example picture is for reference only.

## 3 Unit Display Instruction



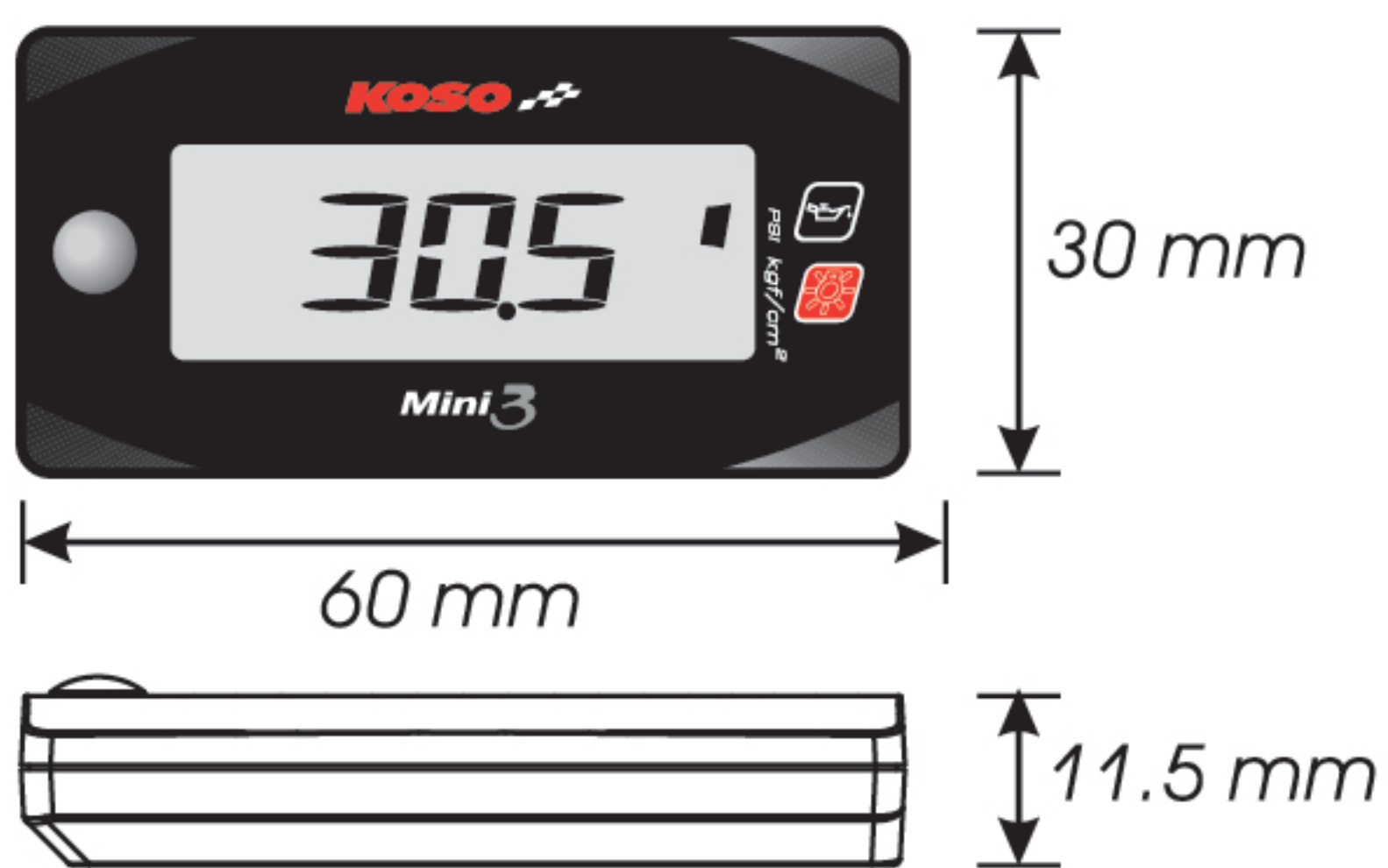
LCD mark on the **upper** position represents the current unit is **PSI**.



LCD mark on the **lower** position represents the current unit is **kgf/cm<sup>2</sup>**.



## 4 Function instruction



● Oil pressure meter	Display range : 0.0~100.0PSI (0.0 ~ 7.0 kgf/cm <sup>2</sup> ) Display unit : 0.1PSI (0.1kgf/cm <sup>2</sup> )
○ Low pressure warning	Setting range : 0.0~100.0PSI (0.0 ~ 7.0 kgf/cm <sup>2</sup> ) Setting unit : 0.1PSI (0.1kgf/cm <sup>2</sup> )
○ Oil pressure warning	Warning Range: Default Value 30.0 PSI(2.1 kgf/cm <sup>2</sup> ); Screen will be flashing to warn when the reading value below than the Setting Value.
● Effective voltage	<b>DC12V</b>
● Effective temperature range	-10~+60°C
● Meter standard	JIS D 0203 S2
● Meter size	60 X 30 X 11.5 mm
● Meter weight	Around 22 g

**NOTE** Design and specifications are subject to change without notice!

### 5-1 Units Switching Setting



- EX: The screen currently display unit is PSI ,if want to set the unit to kgf/cm<sup>2</sup>
- Please turn off.



- Before turn on, please press and hold the button.
- ⚠ When during turning on, please do not release the button.



- After reboot, the screen will display the unit mark at lower position represents the unit now is **kgf/cm<sup>2</sup>**.

### 5-2 Low pressure warning setting



- Press down the button for 3 seconds to enter the low pressure warning setting.



- EX: Low pressure warning set **30.5PSI**.
- Press down the button for 3 seconds to move to the digital you want to set.



- Press the button one time to choose the setting number.
- EX: Low pressure warning setting change from 30.0PSI to 30.5PSI.
- Press down the button for 3 seconds to back the pressure screen.

**NOTE** Low pressure warning setting range: 0.0~100.0 PSI (0.0 ~ 7.0 kgf/cm<sup>2</sup>)



- The pressure screen.

## 6 Trouble shooting

The following situation do not indicate malfunction of the meter. Please check the following before taking it in for repair.

Trouble	Check item	Trouble	Check item
The meter doesn't work when the power is on.	● The power doesn't supply to the meter. → Please make sure the wiring is connected. The wiring and fuse are not broken.	Oil Pressure doesn't display	Sensor wire or electric sensor doesn't well connected. → Please double check the sensor wire or electric sensor if there is any disconnect or loose happened.

※If still can't solve the problems according to the steps above, please contact with distributors or us.

wh003ba116\_A